



www.ivt-ht.com | tools for every use



EN	Electric drill	8 - 13	BE	Электродрыль	38 - 43
DE	Bohrmaschine	14 - 19	UK	Електродриль	44 - 49
RU	Электродрель	20 - 25	IT	Trapano elettrico	50 - 55
KZ	Электрлік бұрғы	26 - 31	CZ	Elektrická vrtačka	56 - 59
PL	Wiertarka elektryczna	32 - 37	BG	Електрическа бормашина	60 - 65



D-450-RC

**EN****CONGRATULATION!**

Dear customer,

IVT team would like to thank you for your choice and for the confidence you put in our product.

Our aim is always to offer an innovative, high-class-strong and prize-adequate product to the customer.

We wish you'll get much satisfaction from all your do-it-yourself activities, by using this tool.

Your IVT Swiss SA Team

NOTE: Illustrations, figures, photos and contents might vary slightly due to our program of continuous product improvements.

RU**ПОЗДРАВЛЯЕМ!**

Уважаемый Покупатель,

Коллектив компании IVT благодарит вас за оказанное доверие и выбор в пользу нашей продукции.

Мы стремимся к тому, чтобы у наших покупателей была возможность пользоваться только современными, прочными и высококачественными продуктами.

Надеемся, что с нашими инструментами вы получите истинное удовольствие от работы.

С уважением, коллектив IVT Swiss SA

ПРИМЕЧАНИЕ: Рисунки, количественные данные, фотографии и содержание инструкции могут изменяться в силу постоянного усовершенствования нашей продукции.

DE**WIR GRATULIEREN!**

Sehr geehrter Kunde,

das Team der Firma IVT dankt Ihnen für Ihr Vertrauen und für die Wahl unserer Produktion.

Wir streben danach, damit unsere Kunden die Möglichkeit haben, nur moderne, feste und hochwertige Produkte zu benutzen.

Wir hoffen, dass mit unseren Werkzeugen Sie ein wirkliches Vergnügen von der Arbeit bekommen.

Mit freundlichen Grüßen, Team IVT Swiss SA

ANMERKUNG: Bilder, Mengenangaben, Fotos und der Inhalt der Anleitung können sich kraft der ständigen Nacharbeit unserer Produktion verändern.

KZ**ҚҰТТЫҚТАЙМЫЗ!**

Құрметті сатып алушы,

IVT компаниясының ұжымы Сізге бізге сенім артқаныңыз үшін және біздің өнімimizi таңдағаныңыз үшін алғыс білдіреді.

Біз Сіздерге инновациялық, жоғарғы классты және жоғары сапалы өнімді тиімді бағамен ұсынуға үнемі ұмтылып келеміз.

Біздің құралдарыңызбен сіз өз жұмысыңыздан рахаттанасыз деп үміттенеміз.

Ізгі ниетпен, IVT Swiss SA ұжымы

ЕСКЕРТУ: Суреттер, сандық мәліметтер және нұсқаудың мазмұны біздің өнімнің үздіксіз жетілуіне байланысты өзгеруі мүмкін.



PL GRATULUJEMY!

Szanowny Kliencie,

Załoga firmy IVT dziękuje Państwu za okazane zaufanie i wybranie naszego produktu. Dążymy do tego, aby nasi klienci mieli możliwość użytkowania jedynie nowoczesnych, trwałych i wysokiej jakościowych produktów.

Mamy nadzieję, że używając naszych narzędzi będziecie Państwo mieć prawdziwą satysfakcję z pracy.

Z poważaniem, załoga IVT Swiss SA

UWAGA: Rysunki, dane ilościowe, fotografie i treść instrukcji mogą ulegać zmianom z powodu doskonalenia naszych produktów.

UK ВІТАЄМО!

Шановний Клієнт,

Компанія IVT дякує Вам за вибір та довіру до нашої марки. Наша мета - завжди пропонувати Вам інноваційний, якісний інструмент за прийнятною ціною.

Сподіваємося, що з нашими інструментами ви отримаєте задоволення від роботи.

З повагою, колектив IVT Swiss SA

ПРИМІТКА: Малюнки, кількісні дані, фотографії та зміст інструкції можуть змінюватися внаслідок постійного удосконалення нашої продукції.

BE ВІНШУЕМ!

Паважаны Клієнт,

Кампанія IVT дзякуе Вам за выбар і давер, аказаны нашай марцы. Наша мэта - заўсёды прапаноўваць Вам інавацыйны, якасны інструмент па прымальнай цане.

Спадзяемся, што з нашымі інструментамі вы атрымаеце задавальненне ад працы.

Кампанія IVT Swiss SA

НАТАТКА: Малюнкi, колькаснiя дадзеныя, фатаграфіі і утрыманне інструкцыі могуць змяняцца ў сілу сталага ўдасканалення нашай тавараў

IT CONGRATULAZIONI!

Gentile cliente,

l'azienda IVT desidera ringraziarLa per la scelta e per la fiducia dimostrata nel nostro prodotto.

Il nostro obiettivo è offrire sempre prodotti innovativi che garantiscano un adeguato rapporto qualità/prezzo.

Le auguriamo che i suoi lavori di bricolage possano diventare un piacere, utilizzando il nostro prodotto.

La squadra IVT Swiss SA

Nota: illustrazioni, figure, foto e contenuti potrebbero variare leggermente a causa del nostro programma di continuo miglioramento del prodotto.

**CS****GRATULUJEME!**

Vážený zákazník,

tým IVT vám chce poděkovat za důvěru, kterou jste do nás vložili nákupem našeho produktu. Naším cílem je přinášet kvalitní, pokrokové, odolné a cenově výhodné výrobky.

Přejeme vám mnoho spokojenosti při vašem kutilství s pomocí tohoto nástroje.

Váš tým IVT Swiss SA

POZN.: ilustrace, obrázky, fotografie a obsah se mohou mírně lišit od skutečnosti, neboť své produkty neustále vyvíjíme a vylepšujeme.

BG**ПОЗДРАВЛЕНИЯ!**

Уважаеми клиенти,

Колективът на фирма IVT ви благодари за оказаното доверие и за избора, направен в полза на нашия продукт. Ние винаги се стремим да предоставим на клиентите си само иновационна, висококачествена продукция от най-висок клас.

Надяваме се, че с нашите инструменти ще получавате истинско удоволствие от работата.

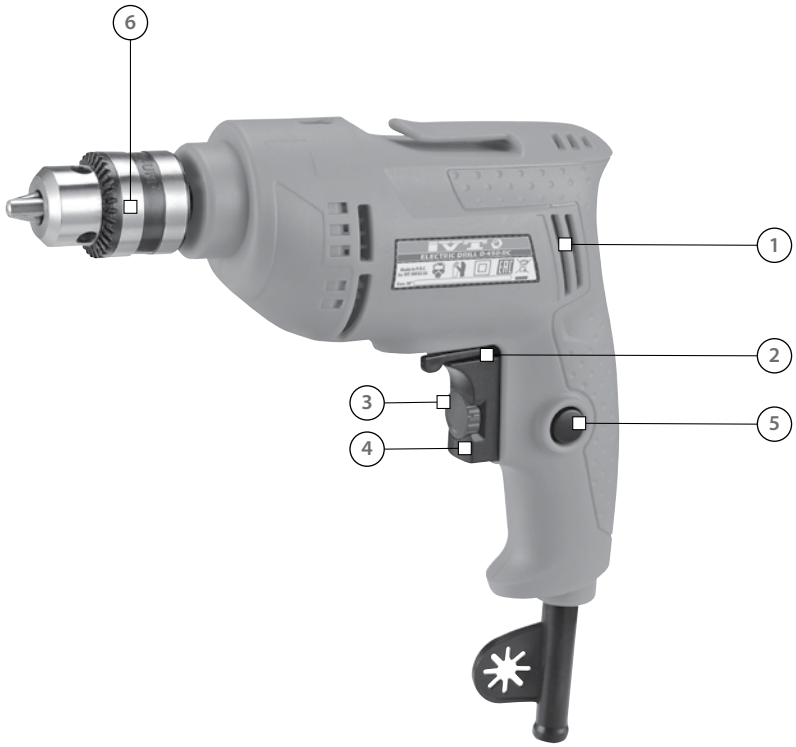
С уважение, колективът на IVT Swiss SA

ЗАБЕЛЕЖКА: Рисунките, количествените данни, снимките и съдържанието на инструкцията могат да бъдат променяни поради постоянното усъвършенстване на нашата продукция.



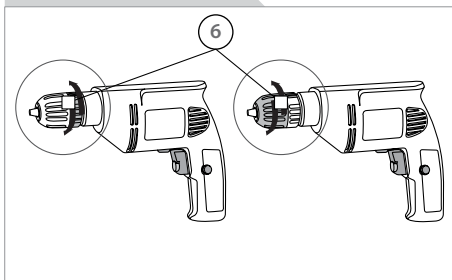


D-450-RC

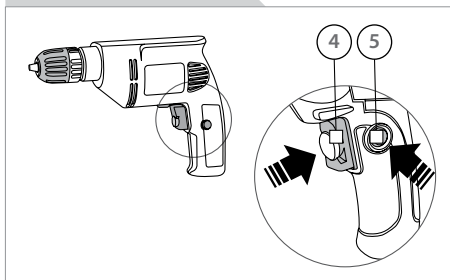




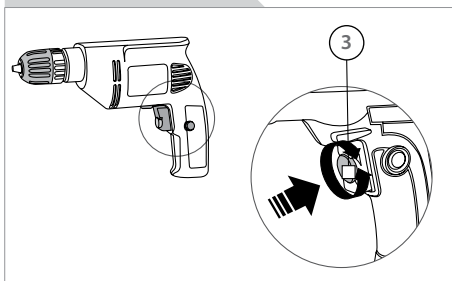
[F1]



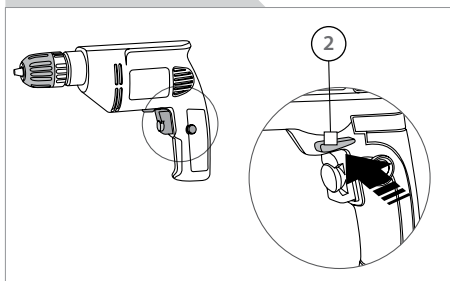
[F2]



[F3]



[F4]





TOOL SPECIFICATIONS

Model	D-450-RC
Voltage ~ Frequency [V ~ Hz]	230 ~ 50
Rated power [W]	450
No-load speed [RPM]	0 - 2800
Percussion rate [BPM]	-
Drilling capacity in steel [mm]	10
Drilling capacity in wood [mm]	20
Drilling capacity in concrete [mm]	-
Weight [Kg]	1.4
Safety class	II

PART LIST

- Ventilation slots
- Rotational direction switch
- Variable speed thumbwheel
- On / Off switch
- Locking button for On / Off switch
- Keyless chuck

CONTENT OF THE BOX

Instruction manual (1 pc), carbon brushes set (1 pc), chuck key (1 pc).

INTENDED USE

This tool is intended for impact drilling in brick, concrete as well as for drilling in wood, metal, ceramic and plastic. Machines with electronic control and right/left rotation are also suitable for screwing and thread cutting.

SAFETY REGULATION FOR THE USE

General safety rules

The following listed safety instructions should serve you for the right use of the tool and for the protection of your own safety, therefore, please read this very carefully.

When passing this tool to a third person, these instructions must be handed too.

Retain this user's manual and all other literature supplied with your tool for any future reference.

Comply with all the safety information and the warnings on the tool.

Be familiar with the controls and the proper use of the tool before attempting to use it and above all, make sure you know how to stop to use it in case of emergency.

Following these simple instructions will also maintain your tool in good working order.

- The tool must be assembled correctly before use.

- Only use the tool for its designed purposes.
- On the tool, there may be also decals and further indications about the safety equipment to use that must be considered. The prevention of accidents is dependent upon the awareness, common sense and proper training of everyone involved in the operation, transport, maintenance and storage of the tool.
- Never leave the tool unattended.
- Never allow children to use the tool. Children should be supervised to ensure that they do not play with the tool.
- Keep children and pets away. All onlookers should be kept at a safe distance away from the tool when it is in use.
- The user is responsible for third parties while working with the tool.
- People who aren't acquainted with the operating instructions, children, juveniles who have not yet reached the minimum age for using this tool and people under the influence of alcohol, drugs or medication are not allowed to use the tool. Local regulations may restrict the age of the operator.



WARNING! The consumption of alcohol, medication and drugs, plus states of illness, fever and fatigue will affect your ability to react. Do not use this tool in any of these situations.

- Make sure that all the protective devices (if present) are fitted and are in good condition.
- Never operate the tool with defective safety devices or guards (if present), or without safety devices in place.
- Inspect the entire tool to look for loose parts (e.g. nuts, bolts, screws, etc.) and for any damage. Check at frequent intervals if screws and bolts (if present) are properly tight to be sure the equipment is in safe working condition. Repair or replace them, if necessary, before using the tool. Serious injury to the operator and to the



bystanders could result if there's any damage to the tool.

- While using the tool, dress properly. Do not wear loose clothing or jewelry that could become caught by the tool. Wear suitable working clothes. It is recommended that legs and feet are covered, to protect them from eventual flying debris. Do not work barefoot or wearing open sandals. Long hair should be tied back.
- Keep handles and grips dry, clean and free from oil and grease.
- Use proper protective equipment. Use safety glasses and safety gloves. Also use a dust mask during pulverulent operations or if exhaust gases are present. When necessary, use also non-slipping boots or shoes, hardhat and earplugs. If the noise level exceeds 85 dB(A), ear protection is obligatory.



WARNING! Use personal protective equipment! Safety devices and personal protective equipment protect your own health and the health of others and ensure a trouble-free operation of the tool.

- Do not start to use the tool if it is in an inverted position or it is not in the right working order.
- Ensure that you have a good stand, while you operate with the tool. Keep proper footing and balance at all times.
- Keep work area clean. Cluttered areas invite injuries. Before use, all foreign bodies must be removed from the working area, also pay attention to foreign objects during operation.
- Do not force the tool.
- Only work in daylight or sufficiently good artificial light. Never operate the tool without good visibility.
- Be careful not to drop the tool or hit it against obstacles.

ATTENTION! Stay alert. Watch what you are doing. Distraction can cause you to lose control. Use common sense.

Electrical safety rules

ATTENTION! When using electrical tools, the following safety instructions should be observed to prevent the risk of electric shock, personal injury and fire. Read and observe these instructions carefully before using the tool.

- It is recommended for increased electrical safety to use a Residual Current Device (RCD) with a tripping current of not more than 30 mA. Always check your RCD every time you use it. Consult a reliable electrician.



WARNING! The use of an RCD or other circuit breaker unit does not release the operator from the safety instructions and safe working practices given in this manual.

- The main voltage must correspond to the one marked on the labels and on this manual. Do not use other sources of power.
- Before inserting the plug in the main socket, make sure that the socket ratings are correct and correspond to those indicated on the rating label on the appliance.
- Avoid body contact with grounded surfaces such as pipes, radiators, ranges and refrigerators. This increases risk of electric shock if your body is grounded.



CAUTION! Touching electrified parts may cause death by electric shock or burn.

- Never move the appliance by pulling at the cables.
- Do not abuse the cord. Keep it away from heat, oil, sharp edges or moving parts.
- Always guide the connection line safely.
- Do not use power tools near flammable liquids or gases.
- Always disconnect the appliance from the mains supply before transporting it to other places.



CAUTION! The appliance should always be switched off at the mains before disconnecting any plug and socket connector or extension cables.

- Never pass the appliance over its own cord or extension cable, while the tool is working. Make sure you always know where the cable is.
- Do not wire a power cable directly into your device yourself. Instead, take the device to your nearest authorized Service Center.
- To avoid danger, damaged power cord should be replaced by manufacturer or its agent, or similar qualified person.
- Immediately unplug the tool when its cable is damaged or cut.



ATTENTION! DANGER OF ELECTRIC SHOCK!

Consider working area environment. Do not expose power tools to rain. Do not use power tools in damp or wet locations. Keep work area well lit and dry. Try to prevent the device from getting wet or being exposed to humidity. Do not leave it outside overnight. Water entering a power tool will increase the risk of electric shock.

- The power supply cable should be checked regularly and, before using it, make sure the cable is not damaged or worn out. If the cable is not in good condition, do not use the appliance; take it to an authorized service Center.
- When tool is used outdoor, only use an extension cable that is suitable for outdoor use and which is marked for this specific use. Keep it away from the working area, from damp, wet or oily surfaces and away from heat and flammable materials.
- Avoid any accidental starting: make sure that the power switch (if present) is in the «off» position, before plugging the tool in.
- Remove adjusting keys or wrenches before turning the tool on.
- Do not use the tool if the switch does not turn the tool on or off. Any tool that cannot be controlled with the switch is dangerous and must be repaired.



WARNING! During the use of certain power tools, some dust containing chemicals known to cause cancer, may occur.

Some of these chemicals are: lead from lead based paints, crystalline silica from bricks and cement and other masonry products, arsenic and chromium from chemically treated lumber and other dangerous products. If dust is present, your risk from these exposures varies, depending on how often you do this type of work. **To reduce your exposure to these chemicals, any time you do pulverulent operations, work in a well ventilated area and work with approved safety equipment, such as dust masks that are specially designed to filter out microscopic particles.**

- If the appliance strikes a foreign body, examine the device for signs of damage and carry out any necessary repairs before restarting and continuing to work.
- If the appliance starts to vibrate abnormally, turn it off and check for the cause immediately. Vibration is generally a warning of trouble.
- Always switch off the appliance and wait until the device completely stops whenever you leave the machine, before carrying out maintenance, before changing accessories, checking, cleaning, troubleshooting or working on the appliance.

- It is forbidden to move or modify any of the internal parts of the device.

Specific safety rules

- Watch your finger! Wear gloves! Keep your hands and all your body away from the drilling area and bit. Keep your second hand on the auxiliary handle.
- Wear hear protection when using impact drill. Exposure to noise can cause hearing loss.
- Hold the drill firmly to prevent the loss of control.
- Never hold the piece to be drilled in your hands or across your leg. It's important to support the work properly to minimize the body exposure or loss of control.
- Never use damaged or incorrect bit.
- Use clamps or other practical way to secure and support the workpiece to a stable platform. Holding the work by hand or against your body is unstable and may lead to loss of control.

UNPACKING

When unpacking, check to make sure that all components are included. Refer to the drawings on this manual. If any parts are missing or broken, please call an IVT assistance center.

INITIAL OPERATION

Always use the correct supply voltage: the power supply voltage must match the information quoted on the tool identification plate.

KEYLESS CHUCK (6) [F1]

These machines are equipped with a keyless chuck for drills. Thus, you can manually change the accessories quickly and without using a key.

- While maintaining steady the rear part of the chuck, rotate the front part counterclockwise until you reach the ideal width to insert / replace the bit.
- Insert / replace the bit.
- Rotate the front part of the chuck (6) clockwise, while maintaining steady the back part until the bit is securely tightened.

SWITCHING ON / OFF

Brief activation

Press the On / Off switch (4) and then let go again.

Continuous use

Switching on

Press On / Off switch (4) and retain with locking button (5).



Switching off

Press and release On / Off switch (4).

[F2]

STEPLESS SPEED CONTROL



The machine runs with variable speed between 0 and maximum depending on the pressure applied to the On / Off switch (4).

Light pressure results in a low rotational speed thus allowing smooth, controlled starts.

Do not load the machine so heavily that it comes to a standstill.

VARIABLE SPEED

With the variable speed thumbwheel (3) the required speed can be selected (also while running).

- Press On / Off switch (4) and retain with locking button for On / Off switch (5).
- Set the needed speed.

The required speed is dependent on the material and can be determined with practical trials.

After longer periods of working at low speed, allow the machine to cool by running for approx. 3 minutes at maximum speed with no load.

[F3]

CHANGING THE ROTATIONAL DIRECTIONS

Operate the rotational direction switch (2) only at a standstill.

With the rotational direction switch (2), the rotational direction of the machine can be switched (when the On / Off switch (4) is operated, the rotational direction switch (2) is locked).

Right Rotation

Press the rotational direction switch (2) through to the right stop.

Left Rotation

Press the rotational direction switch (2) through to the left stop.

[F4]

OPERATING INSTRUCTIONS



WARNING! Before drilling check that there are no hidden hazards such as electrical cables, water or gas pipes running below the surface. Use metal / voltage detector.

Drilling wood and plastic

To prevent wood splintering around the drill holes on the reverse side, place a piece of scrap timber under the material to be drilled.

Drilling metal

Metal such as sheet steel, aluminium and brass may be drilled. Mark the point to be drilled with a center punch to help the drill bit tip to locate.

Screwdriving

To prevent a slip or damage to the screwhead, match the screwdriver bit to the screwhead size. To remove screws, move the direction switch to the reversing position and apply pressure to the screwhead and depress the trigger slowly.

MAINTENANCE AND STORAGE



Before any work on the device itself, pull the mains plug.

- Always keep the tool and the ventilation slots (if present) cleaned. Regular cleaning and maintenance of the appliance will ensure efficiency and prolong the life of your tool.
- If the tool should fail despite the rigorous manufacturing and testing procedures, the repair should be carried out by an authorized IVT customer service.
- Keep all nuts, bolts, and screws tight, to be sure the tool is in safe working condition.
- Replace worn or damaged parts for safety.
- Use only original spare parts. Parts not produced by manufacturer may cause poor fit and possible injury.
- Store the tool in a dry room out of reach of kids and away from any flammable material.
- Never wet the device or spray water on it!

EN



ENVIRONMENTAL PROTECTION

EN



Recycle raw materials instead of disposing as waste.

Tool, accessories and packaging should be sorted for environment-friendly recycling.

The plastic components are labeled for categorized recycling. These instructions are printed on recycled paper manufactured without chlorine.



ATTENTION! DO NOT ATTEMPT TO REPAIR THE PRODUCT BY YOURSELF AND DO NOT TAMPER WITH IT! Any operation of repairing or extraordinary maintenance must be carried out only by a qualified and authorized IVT Service Center. Do not try to modify any internal part of the product! **THIS WILL COMPLETELY VOID THE WARRANTY AND IT COULD CAUSE SERIOUS INJURY AND DAMAGE.**



TECHNISCHE DATEN DES WERKZEUGES

Modell	D-450-RC
Spannung ~ Frequenz [V ~ Hz]	230 ~ 50
Nennleistung [Wt]	450
Leerdrehzahl [U/min.]	0 - 2800
Schlagfrequenz [Schlag/min.]	-
Bohrleistung auf Stahl [mm]	10
Bohrleistung auf Holz [mm]	20
Bohrleistung auf Beton [mm]	-
Gewicht [Kg]	1.4
Schutzklasse	II

ZUBEHÖRTEILE

1. Lüftungsschlitze
2. Drehrichtungsumschalter
3. Scheibenschalter der Geschwindigkeit
4. Ein- / Ausschalter
5. Feststellknopf für Ein- / Ausschalter
6. Spindel ohne Schlüssel

BOXGEHALT

Betriebsanleitung (1 St.), Kohlebürstensatz (1 St.), Bohrfutterschlüssel (1 St.).

VORAUSSICHTLICHE BENUTZUNG

Diese Modellreihe von Schlagbohrern ist für das Schlagbohren von Ziegel, Beton, sowie für das Bohren von Holz, Metall, Keramik und Kunststoff bestimmt. Die Geräte mit elektronischer Steuerung und rechts – links – Drehung können auch für das Einschrauben von Bolzen und Gewindeschneiden verwendet werden.

ARBEITSSICHERHEIT BEI DER BENUTZUNG

Allgemeine Regeln der Arbeitssicherheit

Folgende Anleitungen zur Arbeitssicherheit helfen Ihnen das Werkzeug richtig benutzen und Ihre eigene Sicherheit gewährleisten. Deswegen lesen Sie sie besonnen und aufmerksam.

Im Falle der Übergabe des Werkzeuges für die Benutzung eines Dritten, geben Sie ihm auch vorliegende Anleitungen der Arbeitssicherheit.

Behalten Sie diese Anleitung und sonstige Literatur, die mitgeliefert werden. Wenden Sie sich an sie, wenn die Fragen entstehen.

Folgen Sie strikt den Regeln der Arbeitssicherheit und

Warnungen, die am Werkzeug angegeben sind.

Vor der Arbeit machen Sie sich mit der Werkzeugsteuerung bekannt, aber, vor allem, studieren Sie die Verfahren seines Nothalts.

Indem Sie diesen einfachen Anleitungen folgen, werden Sie Ihr Werkzeug im einwandfreien Zustand halten.

- Vor dem Einsatz ist das Werkzeug richtig zu montieren.

- Setzen Sie das Werkzeug streng zweckgemäß.

- Nehmen Sie Warnungstafeln und Hinweise am Werkzeug und studieren Sie sie aufmerksam.

Aufmerksamkeit, vernünftiges Herangehen zur Arbeit und eine entsprechende Ausbildung von Personen, die am Betrieb, Transportieren, an der Wartung und Lagerhaltung des Werkzeuges teilnehmen, helfen Unfälle verhindern.

- Lassen Sie das Werkzeug ohne Aufsicht nicht.

- Lassen Sie die Benutzung des Werkzeuges durch Kinder nicht zu. Erlauben Sie den Kindern nicht, mit dem Werkzeug zu spielen. играть с инструментом.

- Lassen Sie das Auffinden von Kindern und Tieren in der Nähe des Werkzeuges nicht zu. Die, die den Wunsch haben, die Arbeit des Werkzeuges zu beobachten, sollen sich im sicheren Abstand von ihm befinden.

- Bei der Arbeit mit dem Werkzeug haftet der Benutzer für die Sicherheit von Dritten.

- Personen, die Bedienungsanleitung nicht studiert haben, Kinder, Minderjährige, die das Alter, das die Benutzung des Werkzeuges erlaubt, nicht erreicht haben, sowie Personen, die sich im Alkohol- oder Rauschzustand oder unter Wirkung medizinischer Präparate befinden, werden zur Arbeit mit dem Werkzeug nicht zugelassen. Das Alter des Bedienenden wird durch örtliche Rechtsvorschriften bestimmt.



VORSICHT! Alkohol, einige Heilmittelpräparate und berauschende Mittel sowie Krankheit, Fieber und Müdigkeit vermindern die Geschwindigkeit der Reaktion. In oben genannten Fällen benutzen Sie das Werkzeug nicht.

- Versichern Sie sich, dass alle Schutzeinrichtungen (falls vorhanden) installiert und nutzungsfähig sind.
- Benutzen Sie das Werkzeug ohne Schutzeinrichtungen (falls vorhanden), oder falls sie beschädigt sind, nicht.
- Prüfen Sie das Werkzeug in bezug auf den Bestand von losen Teilstücken (Muttern, Bolzen, Schrauben usw.) oder Beschädigungen. Um sichere Arbeit des Werkzeuges zu gewährleisten, prüfen Sie regelmäßig, ob Bolzen und Schrauben gut festgezogen sind (falls vorhanden). Bei Bedarf führen Sie vor dem Einsatz des Werkzeuges ihre Reparatur oder ihren Austausch durch. Im Falle des Einsatzes des beschädigten Werkzeuges können dem Bedienenden oder Dritten ernste Verletzungen zugefügt werden.
- Verwenden Sie bei der Arbeit eine entsprechende Arbeitskleidung. Weite Kleidung, Schmuckstücke können von beweglichen Teilen mitgenommen werden. Arbeiten Sie nur in entsprechender Arbeitskleidung. Schützen Sie ihre Beine und Füße vor auseinanderfliegender Feine. Arbeiten Sie barfuß oder in offenen Sandalen nicht. Tragen Sie langes Haar hinten zusammen.
- Halten Sie Haltegriffe und Halter trocken und sauber.
- Verwenden Sie entsprechende PSA. Verwenden Sie Schutzbrille und Handschuhe. Bei der Arbeit mit Pulvern oder bei dem Auswurf von Abgasen verwenden Sie den Staubrespirator. Bei Bedarf ziehen Sie gleitsichere Schuhe, den Schutzhelm und schützen Sie ihre Gehörorgane mit Ohrstöpseln. Wenn die Lautstärke 85 dB(A) überschreitet, verwenden Sie unbedingt Gehörschütze.



VORSICHT! Verwenden Sie persönliche Schutzausrüstung! Die Schutzeinrichtungen und PSA gewährleisten die Sicherung ihrer Gesundheit und die Gesundheit der Umstehenden sowie garantieren störungsfreie Arbeit des Werkzeuges.

- Lassen Sie das Werkzeug nicht an, wenn es umgedreht oder im Ruhezustand ist.
- Während der Arbeit nehmen Sie die Beharrungsstellung. Halten Sie immer das

Gleichgewicht.

- Halten Sie die Sauberkeit im Arbeitsbereich ein. Auf den gesperrten Abschnitten ist ein hohes Niveau von Unfällen. Vor dem Einsatz des Werkzeuges räumen Sie von der Arbeitsfläche alle Fremdkörper auf sowie vermeiden Sie den Eintritt von Fremdkörpern unter das Werkzeug während der Arbeit.
- Drücken Sie stark auf das Werkzeug während der Arbeit nicht.
- Benutzen Sie das Werkzeug nur bei gutem Tages- oder Kunstlicht. Benutzen Sie das Werkzeug bei schlechter Sicht nicht.
- Lassen Sie das Werkzeug nicht fallen, lassen Sie den Anstoß des Werkzeuges auf irgendwelche Hindernisse nicht zu.

VORSICHT! Gut aufpassen. Schauen Sie von dem durch das Werkzeug bearbeitenden Stück nicht weg. Indem man ablenkt, kann man die Steuerung verlieren. Arbeiten Sie vernünftig.

Regeln der elektrischen Sicherheit

ACHTUNG! Um den Stromschlag, die Schadenzufügung der Gesundheit oder die Entflammung bei der Verwendung von Elektrowerkzeugen zu vermeiden, muss man folgende Arbeitsschutzvorschriften beachten. Vor dem Einsatz des Werkzeuges lesen Sie diese Anleitungen und folgen Sie ihnen streng.

- Um ein entsprechendes Sicherheitsniveau sicherzustellen, empfiehlt es sich, die Differentialschutzanlage (DSA) zu verwenden, die auf den Abschaltstrom nicht mehr als 30 mA errechnet ist. Prüfen Sie die Einsatzfähigkeit der DSA bei jedem Einsatz. Lassen Sie sich von einem qualifizierten Elektriker beraten.



ACHTUNG! Der Einsatz der PSA oder einer anderen Einrichtung der Schutzabschaltung entbindet den Bedienenden von der obligatorischen Bekanntmachung mit Arbeitsschutzvorschriften und Methoden unfallfreier Arbeit, die in dieser Anleitung angegeben sind.

- Die Netzspannung soll dem Wert, der auf dem Etikett und in der Anleitung angegeben ist, entsprechen. Verwenden Sie andere Speisungsquellen nicht.
- Vor der Anschaltung des Werkzeuges an das Netz versichern Sie sich, dass die Steckdose den Angaben, die auf dem Etikett angegeben sind, entspricht.
- Berühren Sie mit dem Körper geerdete Flächen (Röhre, Heizkörper und Kältevorrichtungen) nicht. Bei

der Erdung durch den Körper erhöht sich das Risiko des Stromschlages.



VORSICHT! Zur Vermeidung der Verbrennung oder der Stromschädigung Leitstücke nicht berühren.

- Ziehen Sie für die Netzschnur bei der Verschiebung des Werkzeuges nicht.
- Benutzen Sie die Netzschnur mit Vorsicht. Schützen Sie die Netzschnur vor Wärmeeinwirkung, vermeiden Sie ihren Kontakt mit Schmierstoffen sowie mit scharfen Sachen oder beweglichen Teilen.
- Seien Sie mit der Netzschnur vorsichtig.
- Verwenden Sie Elektroinstrumente in der Nähe von leichtentflammaren Flüssigkeiten und Brenngasen nicht.
- Bevor Sie das Werkzeug auf einen anderen Platz übertragen, schalten Sie es von dem Netz frei.



VORSICHT! Das Werkzeug ist zuerst auszuschalten und dann von der Steckdose oder Verlängerungsschnur freizuschalten.

- Drücken Sie die Netzschnur oder die Verlängerungsschnur während der Arbeit des Werkzeuges nicht durch und verwickeln Sie sie nicht. Haben Sie das Kabel immer im Auge.
- Schließen Sie das Netzkabel unmittelbar an das Werkzeug selbständig nicht an. Wenden Sie sich an das nächste offizielle Dienstleistungszentrum.
- Bei der Schnurbeschädigung soll sie unbedingt der Hersteller oder sein Agent, oder eine andere sachkundige Person austauschen.
- Ziehen Sie umgehend den Stecker aus der Steckdose heraus, wenn die Netzschnur beschädigt oder eingeschnitten ist.



ACHTUNG! STROMSCHLAGEGEFAHR!

Lenken Sie Ihre Aufmerksamkeit auf Ihren Arbeitsplatz. Benutzen Sie Elektroinstrumente unter Regen nicht. Benutzen Sie Elektroinstrumente in feuchten und nassen Räumen nicht. Halten Sie ihren Arbeitsbereich trocken, sichern Sie gute Beleuchtung. Schützen Sie das Werkzeug vor Feuchtigkeit. Lassen Sie das Werkzeug in der Freiluft über Nacht nicht. Beim Wassereindringen in das Werkzeug erhöht sich das Risiko des Stromschlages.

- Prüfen Sie die Netzschnur auf das Vorhandensein von Beschädigungen und Zeichen der Abnutzung regelmäßig und vor jedem Einsatz. Benutzen Sie das Werkzeug mit der beschädigten Netzschnur nicht; Wenden Sie sich an das offizielle Dienstleistungszentrum.
- Bei der Arbeit draußen verwenden Sie nur dafür bestimmte Verlängerungsschnur mit einer entsprechenden Markierung. Vermeiden Sie den Eintritt der Verlängerungsschnur unter das Werkzeug, schützen Sie sie vor Feuchtigkeit, vor Wärmeeinwirkung, vermeiden Sie den Kontakt mit Schmierstoffen und leichtentflammenden Stoffen.
- Vermeiden Sie zufälliges Anlassen des Werkzeuges: vor dem Anschluss des Werkzeuges an das Netz versichern Sie sich, dass der Schalter (falls vorhanden) in die Position 'off' (AUS) umgeschaltet ist.
- Vor dem Anlass des Werkzeuges entfernen Sie Einstellkeile und Stellschlüssel.
- Benutzen Sie das Werkzeug mit dem gestörten Schalter nicht. Das Werkzeug mit dem gestörten Schalter ist gefährlich und erfordert die Reparatur.



ACHTUNG! Manchmal während der Arbeit mit Elektroinstrumenten bildet sich Staub, der die den Krebs erregende Stoffe enthält.

Zu solchen chemischen Stoffen gehören: Blei in Bleioxid, Quarz, der zum Bestand des Backsteins und des Zements gehört, Arsen und Chrom, die im Schnittholz, das durch chemische Reagens behandelt ist, enthalten sind, und sonstige schädliche Stoffe. Das Risiko der Einwirkung dieser chemischen Stoffe hängt von der Häufigkeit der Durchführung der mit ihnen verbundenen Arbeiten ab.

Um ihre schädliche Einwirkung zu reduzieren, arbeiten Sie in einem gut gelüfteten Raum und benutzen Sie entsprechende fehlerfreie PSA, z.B., Staubrespiratoren, die speziell für die Ausfilterung von mikroskopischen Teilchen entwickelt sind.

- Bei dem Eintritt eines Fremdkörpers unter das Werkzeug prüfen Sie es auf das Vorhandensein von Beschädigungen und machen Sie eine notwendige Reparatur.
- Bei dem Entstehen der Übervibration schalten Sie das Werkzeug aus und stellen Sie umgehend die Ursache fest. Die Vibration ist gewöhnlich ein Zeichen der Störung.
- Bevor Sie Ihren Arbeitsplatz verlassen, führen Sie die Reparatur, Sichtkontrolle oder Reinigung des Werkzeuges, schalten Sie es aus und warten Sie auf vollständiges Stoppen von beweglichen Teilen.
- Es ist verboten, die Innenteile des Werkzeuges abzumontieren und zu ändern.



Besondere Arbeitsschutzvorschriften

- Vorsicht mit Fingern! Benutzen Sie die Schutzhandschuhe! Halten Sie Ihre Hände und andere Körperteile möglichst weiter vom Arbeitsbereich des Bohrers. Halten Sie Ihre zweite Hand auf dem Zusatzgriff.
- Tragen Sie Schutzhorenklappen. Die Lärmbelastigung kann den Hörverlust verursachen.
- Halten Sie den Bohrer fest, um die Steuerlosigkeit zu vermeiden.
- Halten Sie das bearbeitende Stück nicht mit Händen oder mit Füßen. Während der Arbeit soll den maximalen Schutz des Bedieners gesichert werden. Das Risiko der Steuerlosigkeit soll minimalesiert werden.
- Es ist nicht erlaubt, die beschädigten oder nicht geeigneten Bohrer einzusetzen.
- Für die Festlegung des bearbeitenden Stückes auf der standfesten Platte benutzen Sie das Spanneisen oder ähnliches. Die Detailhaltung mit der Hand oder mit dem Körper ist nicht sicher und kann die Steuerlosigkeit verursachen.

AUFSCHLUSS DER VERPACKUNG

Bei dem Aufschluss der Verpackung prüfen Sie das Vorhandensein des Zubehörs. Vgl. Zeichnungen zu dieser Anleitung. Bei dem Fehlen oder Defekt von einigen Teilen wenden Sie sich an das Dienstleistungszentrum IVT.

BEGINN DES BETRIEBS

Der Spannungswert soll dem auf dem Schild der Passangaben angegebenen Wert des Werkzeuges entsprechen.

SPINDEL OHNE SCHLÜSSEL (6) [F1]

Diese Geräte verfügen über ein Spannfutter für den Bohrer mit dessen Hilfe Sie das Zubehör ohne Werkzeug wechseln können.

- Unter Festhalten des hinteren Teils des Klemmfutters drehen Sie seinen vorderen Teil im Gegenuhrzeigersinn bis eine entsprechende Breite für Bohrer-Einbau/Ausbau erhalten wird.
- Setzen Sie ein / Ersetzen Sie den Bohrer.
- Drehen Sie den vorderen Teil des Klemmfutters (6) im Uhrzeigersinn unter Festhalten seines hinteren Teils, bis der Bohrer einrastet.

EIN-/AUSSCHALTEN

Momentschaltung

Ein-/Ausschalter (4) drücken und wieder loslassen.

Dauerschaltung

Einschalten

Ein-/Ausschalter (4) drücken und in gedrücktem Zustand mit Feststellknopf (5) arretieren.

Ausschalten

Ein-/Ausschalter (4) drücken und loslassen.

[F2]

STUFENLOSE DREHZAHREGULIERUNG



Die Maschine läuft je nach Druck auf den Ein-/Ausschalter (4) mit variabler Drehzahl zwischen 0 und Maximum.

Leichter Druck bewirkt eine kleine Drehzahl und macht somit einen sanften, kontrollierten Anlauf möglich. Belasten Sie das Gerät nicht so stark, dass es zum Stillstand kommt.

REGELBARE GESCHWINDIGKEIT

Mit Hilfe des Stellrads (3) können Sie die benötigte Drehzahl (auch während des Laufes) vorwählen.

- Ein-/Ausschalter (4) drücken und in gedrücktem Zustand mit dem Feststellknopf (5) arretieren.
- Stellen Sie die gewünschte Geschwindigkeit ein

Die erforderliche Drehzahl ist vom Werkstoff abhängig und kann durch praktischen Versuch ermittelt werden. Nach längerem Arbeiten mit kleiner Drehzahl, lassen Sie das Gerät zur Abkühlung ca. 3 Minuten lang mit maximaler Drehzahl im Leerlauf drehen.

[F3]

UMSCHALTEN DER DREHRICHTUNG

Betätigen Sie den Drehrichtungsumschalter (2) nun bei Stillstand.

Mit dem Drehrichtungsumschalter (2) kann die Drehrichtung der Maschine umgeschaltet werden (bei bestätigtem Ein-/Ausschalter (4) ist der Drehrichtungsumschalter (2) verriegelt).

Drehrichtung rechts

Drehrichtungsumschalter (2) nach rechts bis zum Anschlag durchdrücken.

Drehrichtung links

Drehrichtungsumschalter (2) nach links bis zum Anschlag durchdrücken.

Operate the rotational direction switch (2) only at a standstill.

[F4]



BEDIENUNGSANWEISUNG

Achtung: Vor dem Anfang des Bohrens prüfen Sie den Platz zur Anwesenheit der verborgenen Gefahr, zum Beispiel, elektrische Kabeln, Wasser – oder Gasleitung unter Erde gelegte. Gebrauchen Sie Metallodetector.

Bohren des Baums und des Kunststoffes

Um Verhütung des Baums herum bohrenen Öffnungen in der Rückseite zu verhindern, legen Sie unter dem aufgebohrenen Baum einen unnötigen Balken aus Holz.

Bohren des Metalls

Die Maschine kann für das Bohren des Metalls einsetzen werden (Blech, Aluminium, Kupfer). Bezeichnen Sie mit dem Anreißkörner den Punkt des Bohrens, damit exacte Anordnung der Schraube von Bohrer zu versehen.

Eindrehung

Für Verhinderung des Schiebens oder von Beschädigung der Schraube einsetzen Sie Spitze des Schraubenziehers, angebracht zu Größe des Kopfes an.

Für das Herausziehen der Schrauben führen Sie den Richtungumschalter zurück, bedrängen Sie den Kopf der Schraube und drücken Sie langsam den Schalter.

WARTUNG UND LAGERHALTUNG



VORSICHT! Bevor Sie die Arbeit mit dem Werkzeug beginnen, schalten Sie es von der Steckdose frei.

- Halten Sie das Werkzeug und Luftöffnungen (falls vorhanden) sauber. Regelmäßige Reinigung und Wartung garantieren eine hohe Effektivität und einen langen Betrieb des Werkzeuges. Im Falle des Versagens, ungeachtet der Einhaltung aller Regeln des Betriebes und der Erprobung des Werkzeuges, soll die Reparatur in einem offiziellen Dienstleistungszentrum IVT durchgeführt werden.
- Alle Müttern, Bolzen und Schrauben sollen festgezogen sein.
- Tauschen Sie beschädigte oder abgenutzte Teile aus.
- Verwenden Sie nur die Originalersatzteile. Die Teile, die von einem anderen Hersteller produziert sind, passen undicht und erhöhen das Risiko von Verletzungen.
- Bewahren Sie das Werkzeug auf einem trockenen für Kinder unzugänglichen Platz, in der sicheren Entfernung von leichtentflammenden Stoffen auf.

- Vermeiden Sie das Treffen des Wassers auf das Werkzeug!

UMWELTSCHUTZ



Befördern Sie Müll und Abfälle zur Überarbeitung!

Das Werkzeug, Zusatzgeräte und Verpackung sind zur ökologisch sicheren Überarbeitung zu befördern. Die Elemente aus Kunststoff haben einen Vermerk über die Möglichkeit einer klassifizierten Überarbeitung. Die vorliegende Anleitung ist auf dem Recyclingpapier, das kein Chlor enthält, gedruckt.



ACHTUNG! ES IST VÖLLIG UNZULÄSSIG, DIE REPARATUR DES ERZEUGNISSES SELBSTÄNDIG DURCHZUFÜHREN UND ZU VERSUCHEN, IHRE SPUREN ZU VERBERGEN! Nur das autorisierte IVT-Service-Zentrum hat das Recht auf die Durchführung der Reparatur und erweiterte Aufrechterhaltung. Die Eintragung von Änderungen in den Innenausbau des Erzeugnisses ist verboten! SOLCHE HANDLUNGEN SIND NICHT DER GRUND FÜR DEN VERZICHT AUF DIE GARANTIEVERPFLICHTUNGEN, SIE KÖNNEN AUCH ALS GRUND FÜR BESCHÄDIGUNGEN UND ERNSTE KÖRPERVERLETZUNGEN SEIN.

ТЕХНИЧЕСКИЕ ХАРАКТЕРИСТИКИ ИНСТРУМЕНТА

Модель	D-450-RC
Напряжение ~ Частота [В ~ Гц]	230 ~ 50
Номинальная мощность [Вт]	450
Частота вращения на холостом ходу [об./мин.]	0 - 2800
Частота ударов [удар/мин.]	-
Производительность бурения по стали [мм]	10
Производительность бурения по дереву [мм]	20
Производительность бурения по бетону [мм]	-
Вес [кг]	1.4
Класс защиты	II

КОМПЛЕКТУЮЩИЕ ДЕТАЛИ

1. Вентиляционные отверстия
2. Переключатель реверса
3. Дисковые переключатели скоростей
4. Включатель / Выключатель
5. Фиксатор выключателя
6. бесключевой патрон

СОДЕРЖИМОЕ КОРОБКИ

Руководство по эксплуатации (1 экз.), набор карбоновых щеток (1 шт.), зажимной ключ (1 шт.).

ПРЕДПОЛАГАЕМОЕ ИСПОЛЬЗОВАНИЕ

Данный модельный ряд ударного бура предназначен для ударного бурения кирпича, бетона, а также сверления по дереву, металлу, керамике и пластмассе. Машины с электронным управлением и вращением в правую/левую стороны также могут использоваться для ввинчивания болтов и нарезания резьбы.

ТЕХНИКА БЕЗОПАСНОСТИ ПРИ ИСПОЛЬЗОВАНИИ

Общие правила техники безопасности

Следующие инструкции по технике безопасности помогут вам правильно пользоваться инструментом и обеспечить собственную безопасность. Поэтому прочитайте их вдумчиво и внимательно.

В случае передачи инструмента для использования третьему лицу передайте и настоящие инструкции по технике безопасности.

Сохраните данную инструкцию и прочую литературу, входящую в комплект поставки. Обращайтесь к ней в случае возникновения вопросов.

Строго следуйте правилам техники безопасности и предостережениям, указанным на инструменте.

Перед началом работы ознакомьтесь с органами управления инструмента, но, прежде всего, изучите способы его экстренной остановки.

Следуя этим простым инструкциям, и вы будете содержать ваш инструмент в исправном состоянии.

- Перед использованием инструмент необходимо правильно собрать.

- Используйте инструмент строго по назначению.

- Отнеситесь внимательно к предупредительным надписям и указаниям на инструменте и внимательно изучите их. Внимательность, разумный подход к работе и соответствующая подготовка лиц, задействованных в эксплуатации, транспортировке, обслуживании и хранении инструмента, помогут предотвратить несчастные случаи.

- Не оставляйте инструмент без присмотра.

- Не допускайте использования инструмента детьми. Не позволяйте детям играть с инструментом.

- Не допускайте нахождения вблизи инструмента детей и животных. Те, кто желает понаблюдать за работой инструмента, должны находиться на безопасном расстоянии от него.

- При работе с инструментом пользователь несет ответственность за безопасность третьих лиц.

- Лица, не ознакомленные с инструкциями по эксплуатации, дети, несовершеннолетние, не достигшие возраста, позволяющего использовать инструмент, а также лица, находящиеся в состоянии алкогольного или наркотического опьянения, либо под воздействием медицинских препаратов, не допускаются к работе с инструментом. Возраст оператора устанавливается местными нормативными актами.



ОСТОРОЖНО! Алкоголь, некоторые лекарственные препараты и наркотические вещества, а также состояние нездоровья, жар и утомление снижают скорость реакции. Не используйте данный инструмент в вышеперечисленных случаях.

- Убедитесь, что все защитные приспособления (если таковые имеются) установлены и пригодны к эксплуатации.
- Не используйте инструмент без защитных приспособлений (если таковые имеются), либо если они повреждены.
- Осмотрите инструмент на наличие незакрепленных деталей (гаек, болтов, винтов и т.д.) или повреждений. Чтобы обеспечить безопасную работу инструмента, периодически проверяйте, хорошо ли затянуты болты и винты (если таковые имеются). При необходимости перед использованием инструмента произведите их ремонт или замену. В случае использования поврежденного инструмента оператору или посторонним лицам могут быть нанесены серьезные травмы.
- Используйте для работы соответствующую спецодежду. Просторная одежда, украшения могут быть затянуты движущимися частями. Работайте только в подходящей спецодежде. Защитите ноги и ступни от разлетающегося мусора. Не работайте босиком или в открытых сандалиях. Соберите длинные волосы сзади.
- Содержите ручки и рукоятки в чистоте и сухости.
- Используйте соответствующие СИЗ. Используйте защитные очки и перчатки. При работе с порошками или при выбросах выхлопных газов используйте противопылевой респиратор. При необходимости наденьте нескользкую обувь, каску и защитите органы слуха берушами. Если уровень шума превышает 85 дБ(А), обязательно используйте защитные наушники.



ОСТОРОЖНО! Пользуйтесь средствами индивидуальной защиты! Защитные приспособления и СИЗ обеспечивают сохранность вашего здоровья и здоровья окружающих, а также гарантируют бесперебойную работу инструмента.

- Не запускайте инструмент, если он перевернут или находится в нерабочем положении.

- Во время работы примите устойчивое положение. Постоянно сохраняйте равновесие.
- Соблюдайте чистоту на рабочем участке. На загроможденных участках наблюдается высокий уровень травматизма. Перед использованием инструмента уберите с рабочей площадки все посторонние предметы, а также избегайте попадания под инструмент посторонних предметов во время работы.
- Не давите на инструмент с силой во время работы.
- Используйте инструмент только при хорошем дневном или искусственном освещении. Не используйте инструмент в условиях плохой видимости.
- Не роняйте инструмент, не допускайте столкновения инструмента с какими-либо препятствиями.

ОСТОРОЖНО! Будьте внимательны. Не отводите взгляд от обрабатываемого инструментом предмета. Отвлечшись, можно потерять управление. Подходите к работе разумно.

Правила электробезопасности

ВНИМАНИЕ! Во избежание удара электрическим током, причинения вреда здоровью или возгорания при использовании электроинструментов необходимо соблюдать следующие инструкции по технике безопасности. Перед использованием инструмента прочтите и точно соблюдайте данные инструкции.

- Чтобы обеспечить соответствующий уровень безопасности, рекомендуется использовать устройство дифференциальной защиты (УДЗ), рассчитанное на ток отключения не более чем 30 мА. Проверьте исправность УДЗ при каждом использовании. Проконсультируйтесь у квалифицированного электрика.



ВНИМАНИЕ! Использование УДЗ или другого устройства защитного отключения не освобождает оператора от обязательного ознакомления с правилами техники безопасности и приемами безопасной работы, указанными в данной инструкции.

- Напряжение сети должно соответствовать значению, указанному на ярлыке и в инструкции. Не используйте другие источники питания.

- Перед подключением инструмента к сети убедитесь, что розетка соответствует данным, указанным на ярлыке.
- Не прикасайтесь телом к заземленным поверхностям (трубами, радиаторами, батареями и рефрижераторами). При заземлении через тело риск удара электрическим током повышается.



ОСТОРОЖНО! Во избежание ожога или поражения электрическим током не прикасайтесь к электропроводящим деталям.

- Не тяните за шнур питания при перемещении инструмента.
- Пользуйтесь шнуром питания с осторожностью. Берегите шнур питания от воздействия тепла, избегайте его контакта со смазочными материалами, а также острыми предметами или движущимися частями.
- Будьте осторожны со шнуром питания.
- Не пользуйтесь электроинструментами вблизи легковоспламеняющихся жидкостей и горючих газов.
- Перед тем, как переносить инструмент на другое место, отключайте его от сети.



ОСТОРОЖНО! Инструмент необходимо сначала выключить, а затем отсоединять от розетки или удлинителя.

- Не пережимайте и не запутывайте шнур питания или удлинитель во время работы инструмента. Не теряйте кабель из виду.
- Не подключайте силовой кабель напрямую к инструменту самостоятельно. Обратитесь в ближайший официальный центр обслуживания.
- При повреждении шнура питания его обязательно должен заменить изготовитель или его агент, или другой квалифицированный специалист.
- Немедленно извлеките вилку из розетки, если шнур питания поврежден или разрезан.



ВНИМАНИЕ! ОПАСНОСТЬ ПОРАЖЕНИЯ ЭЛЕКТРИЧЕСКИМ ТОКОМ!

Обратите внимание на ваше рабочее место. Не используйте электроинструменты под дождем. Не используйте электроинструменты во влажных и сырых помещениях. Содержите рабочий участок в сухости, обеспечьте хорошее

освещение. Берегите инструмент от влаги. Не оставляйте инструмент на открытом воздухе на ночь. При попадании воды в электроинструмент повышается риск удара электрическим током.

- Регулярно и каждый раз перед использованием проверяйте шнур питания на наличие повреждений и признаков износа. Не используйте инструмент с поврежденным шнуром питания; обратитесь в официальный центр обслуживания.
- При работе на улице используйте только предназначенные для этого удлинители с соответствующей маркировкой. Избегайте попадания удлинителя под инструмент, берегите его от влаги, от воздействия тепла, избегайте контакта со смазочными материалами и легковоспламеняющимися веществами.
- Избегайте случайного запуска инструмента: перед подключением инструмента к сети убедитесь, что выключатель (при наличии) переведен в положение 'off' (выкл.).
- Перед включением инструмента удалите установочные клинчики и ключи.
- Не используйте инструмент с неисправным выключателем. Инструмент с неисправным выключателем представляет опасность и требует ремонта.



ВНИМАНИЕ! Иногда во время работы с электроинструментами образуется пыль, содержащая вызывающие рак вещества.

К таким химическим веществам относятся: свинец в составе свинцовых белил, кварц, входящий в состав кирпича и цемента, мышьяк и хром, содержащиеся в пиломатериале, обработанном химическими реагентами, и прочие вредные вещества. Риск воздействия данных химических веществ зависит от частоты проведения связанных с ними работ. Чтобы сократить их вредное воздействие, работайте в хорошо проветриваемом помещении и используйте соответствующие исправные СИЗ, например, противопылевые респираторы, специально разработанные для отфильтровывания микроскопических частиц.

- При попадании под инструмент постороннего предмета осмотрите его на наличие повреждений и произведите необходимый ремонт.
- При возникновении чрезмерной вибрации отключите инструмент и немедленно выясните причину. Вибрация обычно является признаком повреждения.
- Перед тем, как покинуть рабочее место, произведите ремонт, осмотр или очистку инструмента,



отключите его и дождитесь полной остановки движущихся деталей.

- Запрещается снимать или изменять внутренние детали инструмента.

Особые правила по технике безопасности

- Берегите пальцы! Используйте перчатки! Не держите руки и другие части тела вблизи зоны действия бура или сверла. Держите вторую руку на дополнительной ручке.
- Используйте защитные наушники. Воздействие шума может привести к потере слуха.
- Крепко держите бур, чтобы предотвратить потерю управления.
- Не держите обрабатываемую деталь руками или ногами. При работе необходимо обеспечить максимальную защиту оператора, минимизировать риск потери управления.
- Не используйте поврежденные или неподходящие сверла.
- Для закрепления обрабатываемой детали на устойчивой платформе используйте тиски или иные приспособления. Удержание детали рукой или телом ненадежно и может привести к потере управления.

ВСКРЫТИЕ УПАКОВКИ

При вскрытии упаковки проверьте наличие всех комплектующих деталей. См. чертежи к данному руководству. При отсутствии или неисправности каких-либо деталей обратитесь в центр обслуживания IVT.

НАЧАЛО ЭКСПЛУАТАЦИИ

Значение напряжения питания должно соответствовать указанному в табличке паспортных данных инструмента.

БЕСКЛЮЧЕВОЙ ПАТРОН (6) [F1]

Эти электроинструменты оснащены быстрозажимным сверлильным патроном. Таким образом, исключая использование ключа, Вы можете самостоятельно и быстро менять принадлежности.

- Прочно удерживая заднюю часть зажимного патрона, поворачивайте его переднюю часть против часовой стрелки до получения подходящей ширины для вставки/замены сверла.
- Вставьте/замените сверло.
- Поворачивайте переднюю часть патрона (6) по часовой стрелке, прочно удерживая его заднюю часть, пока сверло не зафиксируется.

ВКЛЮЧИТЬ / ВЫКЛЮЧИТЬ

Включение на короткое время

Кнопку (4) нажать и отпустить.

Длительное включение

Включение

Кнопку (4) нажать и зафиксировать фиксатором (5).

Выключение

Кнопку (4) нажать и отпустить.

[F2]

БЕССТУПЕНЧАТАЯ РЕГУЛИРОВКА СКОРОСТИ



Изменение оборотов от 0 до максимума, зависит от силы нажатия на кнопку (4).

Слабый нажим соответствует малому числу оборотов, что позволяет плавно включать машину.

Не оказывать на инструмент чрезмерного давления, это приведет к остановке и перегрузке двигателя!

РЕГУЛИРУЕМАЯ СКОРОСТЬ

При помощи регулятора скорости (3) выставляется необходимое количество оборотов:

- Кнопку (4) нажать и зафиксировать фиксатором (5).
- Установить нужное количество оборотов.

Нужное количество оборотов выбирается в зависимости от обрабатываемого Вами материала. При продолжительной работе на низких оборотах необходимо охладить инструмент в течении 3 минут, для этого установить максимальное число оборотов и оставить инструмент работать на холостом ходу.

[F3]

РЕВЕРС

Переключатель реверса (2) использовать, только после полной остановки двигателя.

С помощью переключателя направления вращения (2) направление вращения машины может быть изменено (когда работает переключатель «ВКЛ.» / «Откл.» (4), переключатель направления вращения (2) заблокирован).

Вращение вправо

Переключатель реверса (2) нажать вправо до упора.

Вращение влево

Переключатель реверса (2) нажать влево до упора.

[F4]

ИНСТРУКЦИИ ПО ЭКСПЛУАТАЦИИ

ВНИМАНИЕ: перед началом бурения проверьте площадку на наличие скрытой опасности, например, электрических кабелей, водопровода, газопровода, проложенных под землей. Используйте металлодетектор.

Сверление дерева и пластмассы

Для предотвращения расщепления дерева вокруг высверливаемых отверстий с обратной стороны поместите под рассверливаемое дерево ненужный деревянный брус.

Сверление металла

Машину можно использовать для сверления металла (листовой стали, алюминия, меди). Отметьте кернером точку сверления, чтобы обеспечить точное расположение головки сверла.

Ввинчивание

Для предотвращения соскальзывания или повреждения головки винта используйте наконечник отвертки, соответствующий размеру головки. Для извлечения винтов переведите переключатель направления в обратное положение, надавите на головку винта и медленно нажмите выключатель.

ОБСЛУЖИВАНИЕ И ХРАНЕНИЕ



ОСТОРОЖНО! Прежде чем начать работу с инструментом, выключите его из розетки.

- Содержите инструмент и вентиляционные отверстия (при наличии) в чистоте. Регулярная очистка и обслуживание гарантируют высокую эффективность и продолжительную эксплуатацию инструмента. В случае выхода из строя, несмотря на соблюдение всех правил эксплуатации и опробования инструмента, ремонт должен выполняться в официальном сервисном центре IVT.
- Все гайки, болты и винты должны быть плотно затянуты.
- Замените поврежденные или изношенные детали.
- Используйте только оригинальные запчасти. Детали, изготовленные сторонним производителем, прилегают неплотно и повышают риск возникновения травм.
- Храните инструмент в сухом недоступном для детей месте, на безопасном расстоянии от легковоспламеняющихся материалов.
- Избегайте попадания воды на инструмент!

ЗАЩИТА ОКРУЖАЮЩЕЙ СРЕДЫ



Отправляйте мусор и отходы на переработку!

Инструмент, дополнительные приспособления и упаковку следует отправить на экологически безопасную переработку.

Пластиковые элементы имеют отметку о возможности классифицированной переработки. Настоящая инструкция напечатана на вторичной бумаге, не содержащей хлор.



ВНИМАНИЕ! ПРОИЗВОДИТЬ РЕМОНТ ИЗДЕЛИЯ САМОСТОЯТЕЛЬНО И ПЫТАТЬСЯ СКРЫТЬ ЕГО СЛЕДЫ СОВЕРШЕННО НЕДОПУСТИМО! Только авторизованный IVT Сервис-Центр имеет право на проведение ремонта и расширенного технического обслуживания. Внесение изменений во внутреннее устройство изделия запрещено! **ТАКИЕ ДЕЙСТВИЯ НЕ ТОЛЬКО ЯВЛЯЮТСЯ ОСНОВАНИЕМ В ОТКАЗЕ ОТ ГАРАНТИЙНЫХ ОБЯЗАТЕЛЬСТВ, НО И МОГУТ ПОСЛУЖИТЬ ПРИЧИНОЙ ПОВРЕЖДЕНИЙ И СЕРЬЕЗНЫХ УВЕЧИЙ.**

ҚҰРАЛДЫҢ СИПАТТАМАСЫ

Үлгі	D-450-RC
Кернеу ~ Жиілік [В ~ Гц]	230 ~ 50
Номиналды қуаттылығы [Вт]	450
Қалыпты жұмыс барысындағы айналым жиілігі (айн./мин.)	0 - 2800
Соққылау жиілігі (соққы/мин.)	-
Болатты бұрғылау бойынша өнімділік [мм]	10
Ағашты бұрғылау бойынша өнімділік [мм]	20
Бетонды бұрғылау бойынша өнімділік [мм]	-
Салмағы [кг]	1.4
Қорғаныс класы	II

ҚОСАЛҚЫ БӨЛШЕКТЕРДІҢ ТІЗБЕСІ

1. Желдеткіш саңылаулар
2. Реверсті ажыратқыш
3. Жылдамдықтың дисктік ажыратқыштары
4. Қосқыш / Сөндіргіш
5. Ажыратқышты реттеуші
6. Кілтіз патрон

ҚОРАПТЫҢ ІШІНДЕГІСІ

Пайдалануға арналған нұсқаулық (1 дана), карбон щеткаларының топтамасы (1 дана), қысқыш кілт (1 дана).

ҚОЛДАНЫЛУЫ

Соққылық бұрғылардың бұл үлгілік қатары кірпішті, бетонды соққылай отырып бұрғылауға, сондай-ақ ағашты, металлды, қышты және пластмассаны тесуге арналған. Электрондық басқарушысы бар және оңға/солға айналатын машиналар болттарды бұрауға және саңылаулар жасауға да пайдаланылады.

ҚОЛДАНУ КЕЗІНДЕГІ ТЕХНИКАЛЫҚ КАУІПСІЗДІК

Қауіпсіздіктің жалпы ережелері

Қауіпсіздік техникасы бойынша келесі нұсқаулықтар құралды дұрыс қолдануға және дербес қауіпсіздікті қамтамасыз етуге көмектеседі. Сондықтан оларды мұқият оқып шығыңыз.

Аталмыш құралды үшінші тұлғаға беру барысында қауіпсіздік техникасы жөніндегі осы нұсқаулықты да бірге беру керек.

Осы нұсқаулықты және жеткізілетін кешен құрамына

кіретін басқа да әдебиеттерді сақтап қойыңыз.

Қауіпсіздік техникасын және құралда көрсетілген қауіпсіздік ережелерін сақтаңыз.

Жұмысты бастамас бұрын құралдың басқару бөлшектерімен танысыңыз, бірақ ең алдымен жедел тоқтату амалдарымен танысыңыз.

Аталған қарапайым ережелерді сақтау сіздің құралыңыздың үнемі жұмысқа жарамдылығын қамтамасыз етуге мүмкіндік береді.

- Пайдалану алдында құралды дұрыс жинақтау қажет.
- Құралды тек мақсаты бойынша ғана пайдаланыңыз.

- Сонымен қатар, құралда қорғаныш жабдықтарды пайдалану жөніндегі ескерту жазбалары мен сілтемелері болуы мүмкін, оларды да оқып шығу қажет. Сақтық, тәжірибелілік, ойластырылғандық, жұмысқа тиісті қатынас және құралды қолдану, тасымалдау, қызмет көрсету және сақтауға қатынасты тұлғалардың тиісті дайындығы келеңсіз оқиғалардың алдын алуға көмектеседі.

- Құралды қараусыз қалдырмаңыз.
- Құралды балалардың пайдалануына жол бермеңіз. Балалардың құралман ойнауына жол бермеңіз.
- Жұмыс алаңына жақын жерде балалардың және жануарлардың болуына жол бермеңіз. Бөгде адамдар жұмыс істеп тұрған құралдан қауіпсіз қашықтықта болуы керек.

- Құралмен жұмыс жасау барысында пайдаланушы үшінші тұлғалар үшін жауапкершілік тартпайды.

- Қолдану жөніндегі осы нұсқаулықпен таныспаған тұлғалар, құралды пайдалануға болатын жасқа жетпеген, көмелеттік жасқа толмаған балалар, сондай-ақ ішімдікке немесе есірткіге мас күйдегі тұлғалар, медициналық дәрмек әсеріндегі адамдар құралмен жұмыс жасауға рұқсат ала алмайды. Оператордың жасы жергілікті нормативтік актілермен тағайындалады.



АБАЙЛАҢЫЗ! Алкоголь, кейбір дәрілік препараттар және есірткілік заттар, сондай-ақ ыстық көтерілу және қалжырау сияқты денсаулық күйлері реакция жылдамдығын төмендетеді. Аталмыш құралды жоғарыда аталған жағдайларда пайдаланбаңыз.

- Барлық қорғаушы жабдықтардың (егер болса) дұрыс орнатылғандығына және олардың жұмысқа жарамды екендігіне көз жеткізіңіз.
- Құралды қорғаушы жабдықтарсыз пайдаланбаңыз (егер болса), немесе ол зақымданған болса пайдаланбаған абзал.
- Құралдың бекітілмей қалған бөлшектерін (сақиналар, болттар, бұрамалар және т. б.) немесе ақауларын тексеріңіз. Құрал жұмысының қауіпсіздігін қамтамасыз ету үшін болттар мен бұрандалардың (егер болса) жақсы бұралғандығын әлсін-әлсін тексеріп отырыңыз. Қажет болса құралды пайдалану алдында зақымданған не ақаулы бөлшектерді жөндеңіз немесе алмастырыңыз. Ақаулы құралды пайдалану кезінде операторға немесе маңайдағы бөгде тұлғаларға ауыр жарақаттар салынуы мүмкін.
- Жұмыс үшін арнайы киімді пайдаланыңыз. Кең киім, әшекейлер, әшекей бұйымдары құралдың қозғалмалы бөліктеріне ілініп қалуы мүмкін. Сәйкес келетін арнайы киімдер киіңіз. Ұшатын қалдық заттардан аяғыңыз бен табаныңызды қорғаңыз. Жалаң аяқ немесе үсті ашық аяқ киім киіп жұмыс істемеңіз. Ұзын шашты артыңызға жинаңыз.
- Тұтқалар мен тұтқыштарды таза және құрғақ етіп ұстаңыз.
- Сәйкес келетін қорғаушы жабдықтарды пайдаланыңыз. Қорғаушы көзәйнектер мен саусаққаптарды қолданыңыз. Ұнтақтармен немесе шығарылатын газ ортасында жұмыс жасау барысында шаңға қарсы респираторды пайдаланыңыз. Қажет болған жағдайда табаны сырғанамайтын аяқ киім, дулыға немесе құлаққа арналған тығындарды қолданыңыз. Егер шу деңгейі 85 дБ(А) артық болса, міндетті түрде қорғаушы құлаққаптарды пайдаланыңыз.



АБАЙЛАҢЫЗ! Жеке бас қорғаныс құралдарын пайдаланыңыз! Қорғаушы жабдықтар мен ЖҚҚ сіздің денсаулығыңыз бен маңайыңыздағылардың денсаулығының қорғанысын қамтамасыз етеді, сондай-ақ құралдың үзіліссіз жұмысына кепілдік береді.

- Құрал кері бұрылған болса немесе жұмысқа жарамсыз күйде болса, оны іске қоспаңыз.
- Жұмыс барысында тұрақты қалыпты сақтаңыз. Үнемі тепе-теңдікті сақтаңыз.
- Жұмыс алаңында тазалықты сақтаңыз. Қоршалған алаңдарда жарақаттану қаупінің жоғары деңгейі байқалады. Құралды пайдаланбас бұрын жұмыс алаңынан барлық бөгде заттарды алып тастаңыз, жұмыс барысында құралдың астына бөгде заттардың түсуіне жол бермеңіз.
- Құралды шамадан тыс қыздырмаңыз.
- Құралды күндізгі жарықта немесе жақсы жасанды желдету кезінде пайдаланыңыз. Құралды нашар көріну жағдайында пайдаланбаңыз.
- Құралды құлатпаңыз, құралдың қандай да бір кедергілермен қақтығысуына жол бермеңіз.

АБАЙ БОЛЫҢЫЗ! Абай болыңыз. Жұмыс барысын бақылап отырыңыз. Алаңдай отырып, құралды басқаруды жоғалтып алу мүмкін. Жұмысқа дайындықпен кірісіңіз.

Электрлік қауіпсіздік ережелері

НАЗАР АУДАРЫҢЫЗ! Электр құралдарын қолдану барысында электр тоғының соққысын болдырмау және жеке бастың жарақаттану оқиғасына жол бермеу мақсатында техникалық қауіпсіздік бойынша мынадай ережелерді сақтау керек. Құралды қолданар алдында осы нұсқаулықтарды оқып шығыңыз және мұқият қадағалаңыз.

- Қауіптілік деңгейін жоғарылату үшін 30 мА-дан аспайтын сөну тоғына есептелген шегермелі қорғаныс құрылғысын (RCD) пайдалану ұсынылады. Әрбір пайдаланған кезде RCD тексеріңіз. Білікті электршіге жүгініңіз.



НАЗАР АУДАРЫҢЫЗ! RCD немесе басқа ажыратқышты пайдалану құралдың операторын осы нұсқаулықта көрсетілген жұмыс амалдары ережелері мен қауіпсіздік техникасы талаптарымен танысу міндетінен босатпайды.

- Желідегі кернеу жазба белгіде немесе нұсқаулықта көрсетілген шамаға сәйкес болуы керек. Басқа қоректендіру көздерін пайдаланбаңыз.
- Құралды желіге қосу алдында розетканың құралдың жазба белгісінде көрсетілген мәліметтеріне сай келетіндігіне көз жеткізіңіз.
- Дененің жайсыздандырылған заттармен (құбырлар, радиаторлар, батареялар және рефрижераторлар) жанасуынан сақтаныңыз. Дененің мұндай заттарға жанасуы кезінде электрлік тоқ соққысына шалдығу қаупі артады.



АБАЙ БОЛЫҢЫЗ! Күюден немесе тоқ соққысынан сақтану үшін электр өткізгіш бөлшектерге жанаспаңыз.

- Құралдың орнын алмастыру барысында кабельден тартпаңыз.
- Тоқсымды абайлап қолданыңыз. Тоқсымды жылудың әсерінен сақтаңыз, оның майлаушы заттармен байланысына жол бермеңіз, сондай-ақ өткір немесе жылжымалы заттармен жанастырмауға тырысыңыз.
- Тоқсыммен абай болыңыз.
- Құралды тез тұтанатын сұйықтықтарға және газдарға жақын жерде пайдаланбаңыз.
- Құралды басқа жерге ауыстырмас бұрын оны желіден ажыратыңыз.



АБАЙ БОЛЫҢЫЗ! Алдымен құралды сөндіру керек, содан соң розеткадан немесе ұзартқыштан ажыратқан абзал.

- Құрал жұмыс істеп тұрғанда ұзартқышты қыспаңыз. Кабельді бақылап отырыңыз.
- Ұзартқышты құралға өз бетіңізбен тікелей қоспаңыз. Ең жақын жердегі ресми қызмет көрсету орталығына жүгініңіз.
- Тоқсым зақымдалған жағдайда қауіптілік тудырмау үшін оны дайындаушы немесе оның агенті, не болмаса ұқсас білікті мамандар алмастыру керек.
- Егер кабель зақымдалған немесе кесіліп

кеткен болса, онда айырды тез арада ашадан алып шығыңыз.



НАЗАР АУДАРЫҢЫЗ! ЭЛЕКТРЛІК ТОҚ СОҚҚЫСЫНА ШАЛДЫҒУ ҚАУІПІ БАР!

Өндірістік ортаны бақылап отырыңыз. Электрлік құралдарды жауын астында пайдаланбаңыз. Электрлік құралдарды ылғалды және дымқыл жайларда пайдаланбаңыз. Жұмыс орнын құрғақ ұстаңыз, жарықтандырудың жақсы болуын қамтамасыз етіңіз. Құралды ылғалдан сақтаңыз. Құралды ашық кеңістікте түнде қалдырмаңыз. Құралға суды тиіп кетсе, электрлік тоқ соққысына шалдығу қаупі артады.

- Үнемі және әр қолданыс алдында құрал кабелінің жарамдылығы мен тозу белгісінің болуын тексеріп отырыңыз. Кабелі зақымданған құралды пайдаланбаңыз; ресми қызмет көрсету орталығына жүгініңіз.
- Ғимараттардан тыс жұмыс барысында сәйкес маркалы арнайы ұзартқыштарды ғана пайдаланыңыз. Кабелінің құралдың астына түсуіне жол бермеңіз, оны ылғалдан, жылудың әсерінен сақтаңыз, жақпамайлық заттармен және тез тұтанатын сұйықтықтармен байланысуына жол бермеңіз.
- Құралдың өздігінен қосылуынан сақтаныңыз. Құралды желіге қосар алдында ажыратқыштың «off» (сөнд.) қалпында екендігіне көз жеткізіңіз.
- Құралды іске қосу алдында ондағы барлық кілттер мен орнату бөлшектерін алып тастаңыз.
- Жарамсыз ажыратқышы бар құралды пайдаланбаңыз. Ажыратқышы жарамсыз құрал қауіпті және жөндеуді талап етеді.



НАЗАР АУДАРЫҢЫЗ! Аспапты пайдаланған кезде құрамында ісік ауруын тудыратын химиялық заттар бар шаң қалыптасады.

Осындай химиялық заттарға мыналар жатады: қорғасынды әктеуіштер құрамындағы қорғасын, кірпіш пен цементтің құрамына кіретін кварц, химиялық реагенттермен өңделген араланушы материалдар құрамындағы күшпен және хром, басқа да зиянды заттар. Аталған химиялық заттардың әсер ету қаупі олармен жұмыс жасау жиілігіне байланысты.

Олардың зиянды әсерін төмендету үшін жақсы желдетілетін жерде жұмыс істеңіз және қолдану үшін бекітілген ЖҚҚ, мысалы, микроскопиялық бөлшектерді сүзуге арналған шаңға қарсы респираторларды пайдаланыңыз.



- Құралдың астына бөгде заттар түскен жағдайда құралдың ақаусыз екендігін тексеріңіз және қажетті жөндеу жұмыстарын жүзеге асырыңыз.
- Шамадан тыс діріл пайда болса жедел арада қозғалтқышты сөндіріңіз және себебін анықтаңыз. Діріл ақаудың белгісі болып табылады.
- Жұмыс орнынан кетпес бұрын, құралды жөндеу, тексеру немесе тазарту алдында оны сөндіріңіз және толығымен тоқтағанша күте тұрыңыз.
- Құралдың ішкі бөлшектерін алып тастауға немесе өзгертуге тыйым салынады.

Қауіпсіздік техникасы бойынша ерекше ережелер

- Саусағыңызды сақтаңыз! Саусаққапты киіңіз! Қолыңызды және басқа дене мүшелерін бұрғы мен кескішке жақын ұстамаңыз. Екінші қолыңызды қосымша тұтқада ұстаңыз.
- Қорғаушы құлаққаптарды қолданыңыз. Ұзақ мерзімді шу әсері есту қабілетінен айырылуға әкеп соғуы мүмкін.
- Басқаруды жоғалтпай үшін бұрғыны берік ұстаңыз.
- Өңделетін бұйымды қолыңызбен немесе аяғыңызбен ұстамаңыз. Жұмыс барысында оператордың максималды қорғалуын қамтамасыз етіңіз, басқаруды жоғалту қауіпін төмендетіңіз.
- Ақауланған немесе сәйкес келмейтін тескіштерді пайдаланбаңыз.
- Өңделетін затты тұрақты орнату үшін арнайы қысқыштарды немесе қосымша жабдықтарды пайдаланыңыз. Өңделетін материалды қолмен ұстау құралды басқаруды қиындатады.

ҚОРАПСЫЗДАНДЫРУ

Қаптан алу кезінде барлық бөлшектердің түгел екендігіне көз жеткізіңіз. Соңғы беттегі жинақтау сызбасын қараңыз. Қандай да болмасын бөлшектер бомаған жағдайда немесе ақаулы болған жағдайда IVT қызмет көрсету орталығына жүгініңіз.

ҚОЛДАНУДЫ БАСТАУ

Қоректендіргіш кернеуінің мәні құралдың құжаттық мәліметтерінде көрсетілген төлқұжаттық деректерге сай болу керек.

ЖЫЛДАМ ҚЫСАТЫН БҰРҒЫЛАУЫШАТРОН (6) [F1]

Бұл машиналар жылдам қысатын бұрғылауыш патрондармен жабдықталған. Осыған орай Сіз кілтті пайдаланбай-ақ түрлі жабдықтарды оңай алмастыра

аласыз.

- Қысқыш патронның артқы жағын мықтап ұстай отырып, оның алдыңғы бөлігін тескіш орнату/ ауыстыру үшін қажетті ен пайда болғанша сағат тілінің бағытына қарсы бұраңыз.
- Тескішті орнатыңыз/алмастырыңыз.
- Патронның (6) алдыңғы бөлігін оның артқы жағын мықтап ұстай отырып, тескіш бекігенше сағат тілінің бағытымен бұраңыз.

ҚОСУ / СӨНДІРУ

Аз уақытқа қосу

(4) - түймені басып, босатыңыз.

Ұзақ уақытқа қосу

Қосу

(4) - түймені басып белгілеуішпен (5) уақытты белгілеңіз.

Сөндіру

(4) - түймені басыңыз да босатыңыз.

[F2]

ЖЫЛДАМДЫҚТЫ САТЫСЫЗ РЕТТЕУ



Айналымның 0-ден ең жылдам айналымға өзгеруі (4) түймені басу күштілігіне байланысты.

Түймені әлсіз басатын болсаңыз айналым саны аз болады, бұл машина ақырындап қосуға мүмкіндік береді. Құралға шамадан тыс күш түсірмеңіз, бұл қозғалтқыштың қызуына немесе сөнуіне әкеліп соғады!

РЕТТЕЛЕТІН ЖЫЛДАМДЫҚ

Жылдамдықты реттеушінің көмегімен (3) қажетті айналым санын қалыптастырыңыз.

- (4) - түймені басып, белгілеуішпен (5) бекітіңіз.
- Қажетті айналым санын қалыптастырыңыз.

Айналымның қажетті саны Сіздің өңдейтін материалыңыздың түріне байланысты анықталады. Айналым төмен жағдайда ұзақ уақыт бойы жұмыс істейтін болсаңыз құралды арасында 3 минуттай уақыт бойы суытып отырған жөн, бұл үшін айналымның ең жылдам түріне жеткеннен кейін, құралды қалыпты жұмыс жасауға қалдырыңыз. [F3]

РЕВЕРС

Реверстің ажыратқышын (2) қозғалтқыш толық тоқтағаннан кейін ғана қолданыңыз.

Айналу бағытын ауыстырып-қосқыш (2) көмегімен машинаның айналу бағытын өзгертуге болады («Қос.»/«Сөнд.» ауыстырып-қосқышы іске қосулы кезде (4), айналу бағытын ауыстырып-қосқыш (2) шектеулі күйде болады).

Оңға айналдыру

Реверстің ажыратқышын (2) оң жаққа қарай толық басыңыз.

Солға айналдыру

Реверстің ажыратқышын (2) сол жаққа қарай толық басыңыз.

[F4]

ҚОЛДАНУ БОЙЫНША НҰСҚАУЛЫҚ

НАЗАР АУДАРЫҢЫЗ: бұрғылауды бастамас бұрын алаңда болуы мүмкін жасырын қауіптерді тексеріңіз, мысалы электрлік кабелдьерді, жер астында орналасатын су немесе газ құбырларын, бақылаңыз Металл детекторын пайдаланыңыз.

Ағашты және пластмассаны бұрғылау

Бұрғыланатын саңылаулар маңында ағаштың сығылып қалуын болдырмас үшін, кері жағынан бұрғыланатын ағаш астына қажет емес ағаш кесегін қойыңыз.

Металлды бұрғылау

Машинаны металлды тесу үшін қолдануға болады (қаңылтырлық болатты, алюминийді, мысты). Бұрғылаушы піскек басының нақты орналасуын қамтамасыз ету үшін кетіктеуішпен бұрғылау нүктесін белгілеңіз.

Қатайта бұрау

Бұранда басының тайып кетуін немесе зақымдануын болдырмау мақсатында бұранда басының көлеміне сай келетін бұрауыш кигізбесін пайдаланыңыз. Бұрандаларды босату үшін бағыттың ажыратқышын кері бағытқа ауыстырыңыз, бұрғының кигізбесін басып, ажыратқышты баяулап басыңыз.

ҚЫЗМЕТ КӨРСЕТУ ЖӘНЕ САҚТАУ



АБАЙ БОЛЫҢЫЗ! Құралмен жұмысты бастау алдында желілік ашаны алып тасатыңыз.

• Құралды және желдеткіш саңылауларын (егер болса) тазалықта ұстаңыз. Үнемі тазарту және қызмет көрсету құралдың жоғары тиімділігін және ұзақ уақыт қолданылуын кепілдейді. Өндіріс пен

сынаудың мінсіз шарттарына қарамастан, істен шыққан жағдайда, жөндеу жұмыстары IVT ресми орталықтарында жүргізілуі керек.

- Барлық сақиналар, болттар және бұрамалар мұқият бұралуы керек.
- Ақауланған немесе тозған бөлшектерді алмастырыңыз.
- Тек түпнұсқалық қосалқы бөлшектерді ғана пайдаланыңыз. Басқа тараптық өндіруші дайындаған бөлшектер нақты сай болмайды және жарақаттану қаупін жоғарылатады.
- Құралды құрғақ әрі балалардың қолы жетпейтін жерде, тез тұтанатын материалдардан қауіпсіз қашықтықта сақтаңыз.
- Құралға су тигізбеңіз!

ҚОРШАҒАН ОРТАНЫ ҚОРҒАУ




Қалдықты болдырмау мақсатында шикізатты қайта қолдану!

Құралды, қосымша жабдықтарды және қаптаманы экологиялық таза жолмен қайта өңдеуге жіберу керек.

Пластикалық бөлшектер классификациялық қайта өңдеуге жіберіледі.

Осы нұсқаулықтар хлор пайдаланбай дайындалған екінші өңделім қағазына басылған.



 ҚР аумағында сапа бойынша наразылықтарды қабылдайтын ұйым: «Костанай DWT/ДВТ» ЖШС | Қостанай қ. Целинная көш., 4 - Қазақстан Республикасы | тел (7142) 28 07 00, -01 | Организация, принимающая претензии на территории РК: ТОО «Костанай DWT/ДВТ» | г. Костанай, ул. Целинная, 4 - Республика Казахстан | тел (7142) 28 07 00, -01



НАЗАР АУДАРЫҢЫЗ! БҰЙЫМҒА ӨЗ БЕТІҢІЗБЕН ЖӨНДЕУ ЖҮРГІЗІП, ОНЫҢ ІЗДЕРІН ЖАСЫРУҒА ТЫРЫСУҒА МҮЛДЕМ БОЛМАЙДЫ! Тек қана авторлық құқығы бар қызмет көрсету орталығының жөндеу жүргізуге және қамтылған техникалық қызмет көрсетуге құқығы бар. Бұйымның ішкі құрылымына өзгерістер енгізуге тыйым салынады! МҮНДАЙ ӘРЕКЕТТЕР КЕПІЛДІК МІНДЕТТЕМЕЛЕРДЕН БАС ТARTУҒА НЕГІЗ БОЛЫП ҚАНА ҚОЙМАЙ, СОНЫМЕН ҚАТАР ҚАУІПТІ ЖАРАҚАТ АЛУҒА ЖӘНЕ ЗИЯН КЕЛТІРУГЕ СЕБЕПШІ БОЛУЫ МҮМКІН.

DANE TECHNICZNE NARZĘDZIA

Model	D-450-RC
Napięcie ~ Częstość [W ~ Gc]	230 ~ 50
Potęga nominalna [V]	450
Częstość obrotów na ślepych chodzie [obrotów za minutę]	0 - 2800
Częstość uderzeń [uderzeń za minutę]	-
Wydajność wiertnictwa po stali [mm]	10
Wydajność wiertnictwa po drzewu [mm]	20
Wydajność wiertnictwa po betonie [mm]	-
Waga [kg]	1.4
Klasa ochrony	II

CZĘŚCI

1. Otwory wentylacyjne
2. Przełącznik nawrotu
3. Dyskowe przełączniki prędkości
4. Włącznik / Wyłącznik
5. Fiksator wyłącznika
6. Uchwyt bezkluczowy

ZAWARTOŚĆ PUDŁA

Instrukcja obsługi (1 szt.), zestaw szczotek węglowych (1 szt.), klucz zacisku (1 szt.).

PROPONOWANE UŻYCIE

Ten szereg modelowy świdera rdzeniowego jest przeznaczony dla uderzeniowego wiertnictwa cegły, betonu oraz świdrowania po drzewie, metalu, ceramice, plastiki. Maszyny z kierowaniem elektronowym i obiegiem do prawej i lewej strony również mogą wykorzystywać się dla wkręcania bolców i nacięcia gwintu.

ZASADY BEZPIECZEŃSTWA PODCZAS UŻYTKOWANIA

Ogólne zasady bezpieczeństwa

Następujące wskazówki odnośnie zasad bezpieczeństwa pomogą Państwu w prawidłowym użytkowaniu narzędzia i zapewnieniu sobie bezpieczeństwa. Dlatego proszę je wnikliwie i uważnie przeczytać.

W przypadku przekazania narzędzia do użytkowania osobie trzeciej, proszę przekazać również niniejsze wskazówki odnośnie zasad bezpieczeństwa.

Proszę zachować niniejszą instrukcję i inne ulotki, będące częścią dostawy. Proszę zaglądać do nich

w przypadku zaistnienia pytań.

Proszę ściśle przestrzegać zasad bezpieczeństwa i ostrzeżeń zamieszczonych na narzędziu.

Przed rozpoczęciem pracy proszę zapoznać się z częściami sterującymi narzędzia, a przede wszystkim zapoznać się ze sposobami jego zatrzymania w sytuacjach nagłych.

Przestrzegając tych prostych instrukcji, utrzymanie Państwo wasze narzędzie w stanie sprawności.

- Przed użyciem narzędzie należy prawidłowo zmontować.

- Narzędzia należy używać ściśle zgodnie z przeznaczeniem.

- Proszę z uwagą traktować napisy ostrzegawcze na narzędziu i wnikliwie się z nimi zapoznać. Uważność, rozsądne podejście do pracy i odpowiednie przygotowanie osób, uczestniczących w użytkowaniu, transporcie oraz obsłudze, pomogą zapobiegać niebezpiecznym wypadkom.

- Nie zostawiać narzędzia bez nadzoru.

- Nie dopuszczają do użytkowania narzędzia przez dzieci. Nie pozwalają dzieciom bawić się narzędziem.

- Nie dopuszczają do przebywania w pobliżu narzędzia dzieci i zwierząt. Osoby, które mają ochotę poobserwować pracę narzędzia, powinny znajdować się w bezpiecznej odległości od niego.

- Podczas pracy z narzędziem użytkownik ponosi odpowiedzialność za bezpieczeństwo osób trzecich.

- Osoby, niezaznajomione z instrukcjami użytkowania, dzieci, osoby niepełnoletnie, które nie osiągnęły wieku, pozwalającego na użytkowanie narzędzia, a także osoby, znajdujące się w stanie upojenia alkoholowego lub będące pod wpływem narkotyków albo produktów leczniczych, nie mogą być dopuszczone do pracy z narzędziem. Wiek operatora określają miejscowe akty normatywne.



OSTROŻNIE! Alkohol, niektóre produkty lecznicze i substancje narkotyczne, a także niedyspozycja zdrowotna, upał i zmęczenie obniżają szybkość reakcji. Nie używać danego narzędzia w wymienionych powyżej przypadkach.

- Upewnić się, że wszystkie urządzenia ochronne (o ile takowe są) zostały zamontowane i są zadane do eksploatacji.
- Nie używać narzędzia bez urządzeń ochronnych (o ile takowe są) lub w przypadku ich uszkodzenia.
- Dokonać oględzin pod względem nie przymocowanych części (nakrętek, śrub, wkrętów itd.) lub uszkodzeń. W celu zapewnienia bezpiecznej pracy narzędzia należy okresowo sprawdzać, czy śruby i wkręty są dobrze dokręcone (o ile takowe są). W razie konieczności przed użyciem narzędzia należy dokonać ich naprawy lub wymiany. W przypadku użycia uszkodzonego narzędzia operator lub osoby postronne mogą zostać poważnie zranione.
- Używać do pracy odpowiedniej odzieży specjalnej. Obszerne ubrania, ozdoby mogą zostać wciągnięte przez ruchome części. Pracować tylko w nadającej się do tego specjalnej odzieży. Chronić nogi i stopy przed rozlatującymi się odpadami. Nie pracować boso lub w odkrytych sandałach. Zebrać długie włosy z tyłu głowy.
- Utrzymywać ręczki i rękojeści w czystości oraz suchości.
- Używać odpowiednich środków ochrony indywidualnej. Używać okularów ochronnych i rękawic. Podczas pracy z proszkami lub w przypadku wyrzutu spalin korzystać z respiratora przeciwpyłowego. W razie konieczności nałożyć nie śliskie obuwie, kask i zabezpieczyć organy słuchowe zatyczkami. Jeśli poziom hałasu przekracza 85 dB(A), obowiązkowo należy używać ochronnych nasuszników.



OSTROŻNIE! Korzystać ze środków ochrony indywidualnej! Urządzenia ochronne i środki ochrony indywidualnej zapewniają bezpieczeństwo Państwa zdrowia i zdrowia osób z otoczenia, a także gwarantują sprawną pracę narzędzia.

- Nie włączać narzędzia, jeśli jest ono przewrócone lub znajduje się w stanie spoczynku.
- Podczas pracy zająć stabilną pozycję. Stałe utrzymywać równowagę.
- Zachowywać czystość miejsca pracy. W miejscach zawalonych rzeczami obserwuje się wysoki poziom wypadkowości. Przed użyciem narzędzia sprzątnąć z miejsca pracy wszystkie postronne przedmioty, a

także unikać podczas pracy wpadnięcia pod narzędzie postronnych przedmiotów.

- Nie naciskać mocno na narzędzie podczas pracy.
- Używać narzędzia tylko przy dobrym dziennym świetle lub sztucznym oświetleniu. Nie używać narzędzia w warunkach złej widoczności.
- Nie upuszczać narzędzia, nie dopuszczać do zderzenia narzędzia z jakimikolwiek przeszkodami.

OSTROŻNIE! Bądźcie uważni. Nie odrywaj wzroku od obrabianego przy pomocy narzędzia przedmiotu. Oderwanie uwagi może spowodować utratę kontroli. Podchodzić do pracy rozsądnie.

Zasady bezpieczeństwa elektrycznego

UWAGA! W celu zapobieżenia porażenia prądem elektrycznym, wyrządzeniu szkody zdrowiu lub poparzeniu podczas użytkowania narzędzia elektrycznych należy koniecznie przestrzegać niniejszej instrukcji bezpiecznego użytkowania. Przed użyciem narzędzia przeczytać daną instrukcję i ściśle jej przestrzegać.

- Dla zapewnienia odpowiedniego poziomu bezpieczeństwa zalecane jest używanie zabezpieczenia różnicowego, przewidzianego dla prądu wyłączeniowego nie większego niż 30 mA. Sprawdzić sprawność zabezpieczenia różnicowego przed każdym użyciem. Skonsultować się z wykwalifikowanym elektrykiem.



UWAGA! Korzystanie z zabezpieczenia różnicowego lub innego wyłącznika ochronnego nie zwalnia operatora od obowiązkowego zapoznania się z zasadami bezpieczeństwa i sposobami bezpiecznej pracy, wskazanymi w danej instrukcji.

- Napięcie sieci powinno odpowiadać wielkości, wskazanej na etykiecie oraz w instrukcji. Nie używać innych źródeł zasilania.
- Przed podłączeniem narzędzia do sieci upewnić się, że gniazdo odpowiada danym, wskazanym na etykiecie.
- Nie dotykać ciałem do uziemionych powierzchni (rur, promienników ciepła, baterii i chłodziarek). Przy uziemieniu przez ciało zwiększa się ryzyko porażenia prądem elektrycznym.



OSTROŻNIE! W celu zapobieżenia poparzeniu lub porażeniu prądem elektrycznym nie dotykać części przewodzących prąd.

- Nie ciągnąć za kabel zasilający podczas przemieszczania narzędzia.
- Z ostrożnością używać kabla zasilającego. Chronić kabel zasilający przed działaniem ciepła, unikać jego kontaktu ze smarami, a także ostrymi przedmiotami lub ruchomymi częściami.
- Ostrożnie obchodzić się z kablem zasilającym.
- Nie używać narzędzia elektrycznego w pobliżu łatwo zapalnych cieczy i gazów palnych.
- Przed przeniesieniem narzędzia w inne miejsce należy odłączyć je od sieci.



OSTROŻNIE! Narzędzie należy najpierw wyłączyć, a potem odłączyć z gniazdka lub przedłużacza.

- Nie ścisnąć mocno i nie splątywać kabla zasilającego lub przedłużacza podczas pracy narzędzia. Nie tracić kabla z pola widzenia.
- Nie podłączać samodzielnie kabla zasilającego do narzędzia. Zwrócić się do najbliższego centrum obsługi.
- W przypadku uszkodzenia kabla zasilającego należy obowiązkowo wymienić go u przedstawiciela lub jego agenta albo dokonać wymiany u innego wykwalifikowanego specjalisty.
- Niezwłocznie odłączyć wtyczkę z gniazdka, jeśli kabel zasilający uległ uszkodzeniu lub rozciąciu.



UWAGA! NIEBEZPIECZEŃSTWO PORAŻENIA ELEKTRYCZNYM! PRĄDEM

Zwracać uwagę na swoje miejsce pracy. Nie używać narzędzi elektrycznych w deszczu. Nie używać narzędzi elektrycznych w wilgotnych i ciemnych pomieszczeniach. Utrzymywać miejsce pracy w suchości, zapewniać dobre oświetlenie. Chronić narzędzie przed wilgocią. Nie zostawiać narzędzia na otwartym powietrzu na noc. W przypadku dostania się wody do narzędzia elektrycznego zwiększa się ryzyko porażenia prądem elektrycznym.

- Regularnie i za każdym razem przed użyciem sprawdzać kabel zasilający pod kątem uszkodzeń i oznak zużycia. Nie używać narzędzia z uszkodzonym kablem zasilającym; zwrócić się do oficjalnego centrum obsługi.
- Podczas pracy na ulicy używać tylko przeznaczonych do tego przedłużaczy z odpowiednim oznakowaniem. Unikać dostawiania się przedłużacza pod narzędzie, chronić go przed wilgocią, działaniem ciepła, unikać kontaktu ze smarami i substancjami łatwopalnymi.

- Unikać przypadkowego uruchomienia narzędzia: przed podłączeniem narzędzia do sieci upewnić się, że wyłącznik (o ile jest) znajduje się w pozycji „off” (wył.).
- Przed włączeniem narzędzia usunąć kliny montażowe i klucze.
- Nie używać narzędzia z niesprawnym wyłącznikiem. Narzędzie z niesprawnym wyłącznikiem stanowi zagrożenie i wymaga naprawy.



UWAGA! Niekiedy podczas pracy z narzędziami elektrycznymi powstaje pył, zawierający substancje powodujące nowotwory.

Do takich substancji chemicznych należą: ołów, wchodzący w skład bieli ołowiowej, kwarc, wchodzący w skład cegieł i cementu, arsen i chrom, wchodzące w skład opilków, poddanych obróbce z użyciem reagentów chemicznych oraz inne szkodliwe substancje. Ryzyko oddziaływania danych substancji chemicznych zależy od częstości przeprowadzania związanym z nimi prac. **Aby zmniejszyć ich szkodliwe oddziaływanie, należy pracować w dobrze wentylowanym pomieszczeniu i używać sprawnych środków ochrony indywidualnej, na przykład respiratorów przeciwpyłowych, specjalnie opracowanych do odfiltrowania mikroskopijnych cząsteczek.**

- W przypadku wpadnięcia pod narzędzie postronnego przedmiotu należy dokonać oględzin pod kątem uszkodzeń oraz przeprowadzić niezbędną naprawę.
- W przypadku zaistnienia nadmiernej wibracji, wyłączyć narzędzie i niezwłocznie wyjaśnić przyczynę. Wibracja zwykle stanowi oznakę uszkodzenia.
- Przed opuszczeniem miejsca pracy, dokonaniem naprawy, oględzin lub czyszczenia narzędzia, odłączyć je i poczekać do chwili całkowitego zatrzymania się ruchomych części.
- Zabrania się zdejmowania lub zamiany wewnętrznych części narzędzia.

Szczególne zasady bezpieczeństwa

- Strzeż palcy! Wykorzystuj rękawiczki! Nie trzymaj ręce i inne części ciała w pobliżu strefy działania świdra lub wiertła. Trzymaj drugą ręką na ręczce dodatkowej.
- Wykorzystuj nauszniki ochronne. Wpływ szumu może doprowadzić do utraty słuchu.
- Mocno trzymaj świder, żeby zapobiec stracie kierowania.
- Nie trzymaj detalu obrabiany rękami i nogami. Podczas pracy należy zabezpieczyć maksymalną ochronę operatora, minimizować ryzyko utraty kierowania.
- Nie wykorzystuj uszkodzone lub nieodpowiednie



wiertła.

· Dla umocnienia detalu obrabianego na odpornej platformie wykorzystuj imadła lub inne dostosowanie. Utrzymywanie detalu ręką albo ciałem jest niepewnie i może doprowadzić do straty kierowania.

OTWARCIE OPAKOWANIA

Przy otwarciu opakowania sprawdzić, czy zawiera ono wszystkie części. Patrz: schematy załączone do niniejszej instrukcji. W przypadku braku lub niesprawności którejkolwiek z części, należy zwrócić się do centrum obsługi IVT.

POCZĄTEK UŻYTKOWANIA

Wartość napięcia prądu powinna odpowiadać wartości wskazanej w tabeli danych z paszportu narzędzia.

БЕСКЛЮЧЕВОЙ ПАТРОН (6) [F1]

Эти электроинструменты оснащены быстрозажимным сверлильным патроном. Таким образом, исключая использование ключа. Вы можете самостоятельно и быстро менять принадлежности.

- Прочно удерживая заднюю часть зажимного патрона, поворачивайте его переднюю часть против часовой стрелки до получения подходящей ширины для вставки/замены сверла.
- Вставьте/замените сверло.
- Поворачивайте переднюю часть патрона (6) по часовой стрелке, прочно удерживая его заднюю часть, пока сверло не зафиксировано.

WŁĄCZYĆ / WYŁĄCZYĆ

Włączanie na krótki czas

Przycisk (4) nacisnąć i odpuścić.

Długotrwałe włączanie

Włączenie

Przycisk (4) nacisnąć i utrwalić fiksatorem (5).

Wyłączenie

Przycisk (4) nacisnąć i odpuścić.

[F2]

BEZSTOPNIOWE

NASTAWIENIE

PRĘDKOŚCI



Zmiana obrotów od 0 do maksimum, zależy od siły naciśnięcia na przycisk (4).

Słaby nacisk odpowiada małej liczbie obrotów, które pozwala płynnie włączać maszynę.

Nie wolno okazywać na urządzenie przesadnego ciśnienia, to doprowadzi do zatrzymania oraz przeladunku silnika!

REGULOWANA PRĘDKOŚĆ

Przy pomocy regulatora prędkości (3) można ustawić dowolną niezbędną ilość obrotów:

- Przycisk (4) nacisnąć i utrwalić fiksatorem (5).
- Ustawić potrzebną ilość obrotów.

Potrzebna ilość obrotów wydostaje się w zależności od obrabianego przez Państwo materiału.

Przy długotrwałej pracy na niskich obrotach trzeba ochłodzić urządzenie w ciągu 3 minut, dla tego ustawić maksymalną liczbę obrotów i zostawić urządzenie pracować na pustym chodzie.

[F3]

NAWRÓT

Przełącznik rewersu (2) wykorzystywać, tylko po pełnym zatrzymaniu silnika.

Zmiana kierunku obrotów wiertła dokonuje się przełącznikiem kierunku obrotów (2) (jeżeli wyłącznik «włączono/wyłączono» (4) jest w pozycji «włączono», przełącznik kierunku obrotów (2) jest zablokowany).

Obrót w prawo

Przełącznik nawrotu (2) nacisnąć w prawo do oparcia.

Obrót w lewo

Przełącznik nawrotu (2) nacisnąć w lewo do oparcia.

[F4]

INSTRUKCJA Z EKSPLOATACJI

UWAGA: przed początkiem wiercenia zalecane sprawdzenie placu na obecność niewidocznego niebezpieczeństwa, na przykład, elektrycznych kabli, wodociągu lub gazociągu, które znajdują się pod ziemią. Zalecane również wykorzystanie detektora metalu.

Wiercenie drzewna i tworzyw sztucznych

Dla zapobiegania rozszczepienia drzewna wokół świdrowanych otworów z odwrotnej strony ulokujecie pod rozwiercane drzewo niepotrzebną drewnianą belkę.

Wiercenie metalu

Maszynę można wykorzystać dla wiercenia metalu (liściowa stał, aluminium, miedź).

Radzimy zaznaczyć punktowo miejsce wiercenia, dla tego żeby zabezpieczyć dokładne rozmieszczenie główki świda.

Wkręcanie

Dla zapobiegania ześlizgiwania się lub uszkodzenia główki śruby jest porzadane wykorzystywać kapsel śrubokręta, o odpowiednich rozmiarach główki. Dla wyciągania śrub radzimy przeprowadzić przełącznik kierunku w położenie odwrotne, nacisnąć na główkę śruby i powoli nacisnąć wyłącznik.

OBSŁUGA I PRZECHOWYWANIE



OSTROŻNIE! Przed rozpoczęciem pracy z narzędziem należy odłączyć go od gniazdka.

- Utrzymywać narzędzie i otwory wentylacyjne (o ile są) w czystości. Regularne czyszczenie i obsługa gwarantują wysoką efektywność i długie użytkowanie narzędzia. W przypadku zepsucia się, bez względu na przestrzeganie wszystkich zasad użytkowania i pobierania prób narzędzia, naprawa powinna być dokonywana w oficjalnym centrum serwisowym IVT.
- Wszystkie nakrętki, śruby i wkręty powinny być dokładnie dokręcone.
- Należy wymienić uszkodzone lub zużyte części.
- Używać tylko oryginalnych części zamiennych. Części, wyprodukowane przez innych producentów, niedokładnie przylegają i zwiększają ryzyko powstania urazów.
- Przechowywać narzędzie w suchym niedostępnym dla dzieci miejscu, w bezpiecznej odległości od materiałów łatwopalnych.
- Unikać zachłapania narzędzia wodą!

OCHRONA ŚRODOWISKA NATURALNEGO



Oddawajcie śmieci i odpadki do przeróbki!

Narzędzie, urządzenia dodatkowe i opakowanie należy odesłać do bezpiecznej z ekologicznego punktu widzenia przeróbki.

Elementy plastikowe są oznaczone adnotacją o możliwości klasyfikowanej przeróbki. Niniejsza instrukcja została wydrukowana na papierze makulaturowym, nie zawierającym chloru.



UWAGA! NIE NALEŻY DOKONYWAC PRÓB SAMODZIELNEJ NAPRAWY PRODUKTU ANI PRZY NIM MANIPULOWAĆ! Wszelkie działania dotyczące naprawy lub dodatkowej konserwacji muszą przeprowadzać wykwalifikowani i autoryzowani pracownicy centrum usługowego IVT. Nie należy dokonywać prób modyfikacji żadnych wewnętrznych części produktu! CZYNNOSC TAKA SPOWODUJE CAŁKOWITE UNIEWAŻNIENIE GWARANCJI, A TAKŻE MOŻE DOPROWADZIC DO POWAŻNEGO USZKODZENIA CIAŁA LUB PRODUKTU.

ХАРАКТАРЫСТЫКА ІНСТРУМЕНТА

Мадэль	D-450-RC
Напруга ~ Чашчыня [В ~ Гц]	230 ~ 50
Намінальная магутнасць [Вт]	450
Чашчыня кручэння на халастым ходу [зв./хв.]	0 - 2800
Чашчыня ўдару [удар/хв.]	-
Прадукцыйнасць свідравання па сталі [мм]	10
Прадукцыйнасць свідравання па дрэве [мм]	20
Прадукцыйнасць свідравання па бетоне [мм]	-
Вага [кг]	1.4
Клас абароны	II

ПЕРАЛІК ЗАПЧАСТАК

1. Вентиляционные отверстия
2. Переключатель реверса
3. Дисковые переключатели скоростей
4. Включатель / Выключатель
5. Фиксатор выключателя
6. бесключавы патрон

ЗМЕСЦІВА СКРЫНКІ

Кіраўніцтва па эксплуатацыі (1 паас.), набор карбонавых шчотак (1 шт.), зажимной ключ (1 шт.).

ПРЫЗНАЧЭННЕ

Дадзены мадэльны шэраг ударнага свідра прызначаны для ударнага свідравання цэгля, бетону, а таксама свідраванні па дрэве, металу, кераміцы і пластмасе. Машыны з электронным кіраваннем і кручэннем у правы/левы бакі таксама могуць выкарыстоўвацца для ўкручвання нітаў і нарэзкі разьбы.

ТЭХНІКА БЯСПЕКІ ПАДЧАС ЭКСПЛУАТАЦЫІ

Агульныя правілы бяспекі

Наступныя інструкцыі па тэхніцы бяспекі дапамогуць карыстальніку правільна выкарыстоўваць прыладу і забяспечыць уласную бяспеку. Таму варта прачытаць іх уважліва.

У выпадку перадачы прылады трэцяй асобе, неабходна перадаць і сапраўдныя інструкцыі па тэхніцы бяспекі.

Захавайце дадзеную інструкцыю і іншую літаратуру, якая ўваходзіць у камплект пастаўкі.

Вынікайце тэхніцы бяспекі і перасцярогам на

інструменты.

Перад пачаткам працы азнаёмцеся з органамі кіравання прыбора, але, першым чынам, вывучыце спосабы яго экстранага прыпынку.

Выконванне гэтых простых інструкцый дапаможа ўтрымоўваць ваш інструмент у спраўным стане.

- Перад выкарыстаннем інструмент неабходна правільна сабраць.

- Выкарыстоўвайце інструмент толькі па прызначэнні.

- Вывучыце папярэдзальныя надпісы на інструменты, вынікайце ўказанням па выкарыстанні ахоўных прыстасаванняў. Прадурхіліць няшчасныя выпадкі дапамогуць уважлівасць, разумны падыход да працы і адпаведная падрыхтоўка асоб, задзейнічаных у эксплуатацыі, транспартаванні, абслугоўванні і захоўванні інструмента.

- Не пакідайце інструмент без нагляду.

- Не дапушчайце выкарыстанне інструмента дзецьмі. Не дазваляйце дзецям гуляць з інструментам.

- Не дапушчайце знаходжання зблізку дзяцей і жывёл. Староннія асобы павінны знаходзіцца на бяспечнай адлегласці ад працуючага інструмента. Спыніце працу, калі наблізу знаходзяцца староннія людзі, асабліва дзеці, ці жывёлы.

- Пры працы з інструментам карыстач нясе адказнасць за трэціх асоб.

- Асобы, не азнаёмленыя з інструкцыямі па эксплуатацыі, дзеці, непаўналетнія, не дасягнулыя ўзросту, які дазваляе выкарыстоўваць інструмент, а таксама асобы, якія знаходзяцца ў стане алкагольнага ці наркатычнага ап'янення, або пад уздзеяннем медыцынскіх рэпартаў, не дапушчаюцца да працы з інструментам. Узрост аператара вызначаны ў мясцовых нарматыўных актах.



АСЦЯРОЖНА! Алкаголь, некаторыя лекавыя прэпараты і наркатычныя рэчывы, а таксама стан хворасці, жар і стома зніжаюць хуткасць рэакцыі. Не выкарыстоўвайце электраінструменты ў вышэйпералічаных выпадках.

- Пераканайцеся, што ўсе ахоўныя прыстасаванні (ёсць у наяўнасці) ўсталюваны і прыдатныя да эксплуатацыі.
- Не выкарыстоўвайце інструмент без ахоўных прыстасаванняў (ёсць у наяўнасці), або калі яны пашкоджаны.
- Аглядаўце інструмент на наяўнасць незамацаваных дэталю (гаек, нітаў, шруб і г.д.) ці пашкоджанняў. Каб забяспечыць бяспечную работу інструмента, перыядычна правярайце, ці добра зацягнуты ніты і шрубы (ёсць у наяўнасці). Пры неабходнасці перад выкарыстаннем інструмента вырабіце іх ремонт ці замену. У выпадку выкарыстання пашкоджанага інструмента аператару ці староннім тварам могуць быць нанесены сур'ёзныя траўмы.
- Выкарыстоўвайце для работы адпаведную спецвопратку. Прасторная адзежа, упрыгожванні могуць быць зацягнуты рухомымі часткамі. Выкарыстоўвайце адпаведную спецвопратку, доўгія штаны і трывалы абутак. Ахоўвайце ногі і ступні ад разлятаючага смецця. Не працуйце басанож ці ў адкрытых сандалях. Збярыце доўгія валасы ззаду.
- Утрымоўваеце рукі ў чысціні і сухасці.
- Выкарыстоўвайце адпаведныя ахоўныя прынады. Выкарыстоўвайце ахоўныя акуляры і пальчаткі. Пры працы з парашкамі або пры выкідах выхлальных газаў выкарыстоўвайце супрацьпылевай рэспіратар. Пры неабходнасці надзенне няслізкай абутак, каску і вушныя ўкладышы. Калі ўзровень шуму перавышае 85 дБ(А), абавязкова выкарыстоўвайце ахоўныя слухаўкі.



АСЦЯРОЖНА! Выкарыстоўвайце сродкі індывідуальнай аховы! Ахоўныя прыстасаванні і сродкі індывідуальнай аховы забяспечваюць ахову вашага здароўя і здароўя іншых асоб, а таксама гарантуюць бесперабойную работу інструмента.

- Не запускайце інструмент, калі ён знаходзіцца ў перавернутым ці няправільным працоўным палажэнні.
- Падчас працы захоўвайце ўстойлівае

становішча. Увесь час захоўвайце раўнавагу.

- Захоўвайце чысціню на працоўным участку. На загрузачныя часткі назіраецца высокі ўзровень траўматызму. Перад выкарыстаннем інструмента прыбярыце з рабочай пляцоўкі ўсе староннія прадметы, а таксама пазбягайце пападання пад інструмент старонніх прадметаў падчас працы.
- Не перагружайце інструмент.
- Выкарыстоўвайце прыладу толькі пры дзённым або добрым штучным асвятленні. Не выкарыстоўвайце інструмент ва ўмовах дрэннай бачнасці.
- Не губляйце інструмент, не дапускайце сутыкнення інструмента з якімі-небудзь перашкодамі.

АСЦЯРОЖНА! Будзьце ўважлівыя. Сачыце за працай. Адцягнуўшыся, можна страціць кіраванне. Выкарыстоўвайце разумны сэнс.

Правілы электрабяспекі

УВАГА! У мэтах прадухілення ўдару электрычным токам, траўматызму ці ўзгарання пры выкарыстанні электраінструментаў неабходна выконваць наступныя інструкцыі па тэхніцы бяспекі. Перад выкарыстаннем прылады прачытайце і старанна выконвайце дадзеныя інструкцыі.

- Каб павысіць узровень бяспекі, рэкамендуецца выкарыстоўваць прыладу дыферэнцыяльнай абароны (ПДА), разлічанае на ток адключэння не больш чым 30 мА. Правярайце ПДА пры кожным выкарыстанні. Звярніцеся да кваліфікаванага электрыка.



УВАГА! Выкарыстанне ПДА ці іншага перарывальніка не вызваляе аператара ад абавязковага азнаямлення з правіламі тэхнікі бяспекі і прыёмамі бяспечнай працы, вызначанымі ў дадзенай інструкцыі.

- Напруга сеткі павінна адпавядаць значэнню, паказанаму на таблічцы ці цэтліку. Не выкарыстоўвайце іншыя крыніцы сілкавання.
- Перад падключэннем прылады да сеткі пераканайцеся, што разетка адпавядае дадзеным, пазначаным на цэтліку.
- Пазбягайце кантакту з заземленымі паверхнямі (трубамі, радыятарамі, батарэямі і рэфрыжэратарамі). Пры зацяжненні праз цэла рызыка ўдару электрычным токам павялічваецца.



Інструкцыя па эксплуатацыі



АСЦЯРОЖНА! У пазбяганне апёку ці паразы электрычным токам не датыкайцеся да дэталюў, якія праводзяць электрычны ток.

- Не цягніце за кабель пры перасоўванні інструмента.
- Выкарыстоўвайце шнур з асцярожнасцю. Беражыце шнур ад уздзеяння цяпла, пазбягайце яго кантакту са змазвальнымі матэрыяламі, а таксама вострымі прадметамі ці рухомымі часткамі.
- Будзьце асцярожныя са шнурам.
- Не выкарыстоўвайце электраінструменты зблізка лёгкаўзгаральных вадкасцяў і гаручых газаў.
- Перад тым, як пераносіць інструмент на іншае месца, адключайце яго ад сеткі.



АСЦЯРОЖНА! Інструмент неабходна спачатку адключыць, а затым адлучыць ад разеткі ці падаўжальніка.

- Не пераціскайце падаўжальнік падчас працы прыбора. Не губляйце кабель з выгляду.
- Не падлучайце падаўжальнік проста да прыбора самастойна. Звярніцеся ў бліжэйшы афіцыйны цэнтр абслугоўвання.
- Пры пашкоджанні шнура харчавання, каб пазбегнуць небяспекі яго павінен замяніць вытворца або яго агент, ці аналагічнае кваліфікаванае твар.
- Неадкладна атрымаць вілку з разеткі, калі кабель пашкоджаны або разрэзаны.



УВАГА! НЕБЯСПЕКА ПАРАЗЫ ЭЛЕКТРЫЧНЫМ ТОКАМ!

Сачыце за асяроддзем на рабочай пляцоўцы. Не выкарыстоўвайце электраінструменты падчас дажджу. Не выкарыстоўвайце электраінструменты ў вільготных і волкіх памяшканнях. Утрымоўвайце рабочую пляцоўку ў сухасці, забяспечце добрае асвятленне. Беражыце прыбор ад вільгаці. Не пакідайце прыбор на адкрытым паветры на ноч. Пры трапленні вады ў электраінструмент павялічваецца рызыка ўдару электрычным токам.

- Рэгулярна і кожны раз перад выкарыстаннем правярайце кабель сілкавання на наяўнасць пашкоджанняў і прыкмет зносу. Не выкарыстоўвайце інструмент з пашкоджаным кабелем; звярніцеся ў афіцыйны цэнтр абслугоўвання.
- Падчас працы па-за памяшканнем,

выкарыстоўвайце толькі прызначаныя для гэтага падаўжальнікі з адпаведнай маркіроўкай. Пазбягайце траплення кабеля пад інструмент, беражыце яго ад вільгаці, ад уздзеяння цяпла, пазбягайце кантакту са змазвальнымі матэрыяламі і лёгкаўзгаральнымі рэчывамі.

- Пазбягайце выпадковага запуску інструмента: перад падлучэннем да сеткі пераканайцеся, што выключальнік знаходзіцца ў палажэнні 'off' (выкл.).
- Перад уключэннем інструмента выміце ўсталювальныя кліны і ключы.
- Не выкарыстоўвайце інструмент з няспраўным выключальнікам. Інструмент з няспраўным выключальнікам уяўляе небяспеку і павінен быць адрамантаваны.



УВАГА! Часам падчас працы электраінструментаў ўтворацца пыл, якія змяшчае хімічныя рэчывы, якія выклікаюць рак.

Да такіх хімічных рэчываў адносяцца: свінец у складзе свінцовыхбяліл, кварц, які ўваходзіць у склад цэглы і цэменту, мыш'які хром, што змяшчаюцца ў піламатэрыяле, апрацаваным хімічнымі рэагентамі, і іншыя шкоднае рэчывы. Рызыка ўздзеяння дадзеных хімічных рэчываў залежыць ад чашчынні правядзення звязаных з імі работ.

Каб скараціць іх шкоднае ўздзеянне, працуйце ў памяшканні, якое добра вентылявана, і выкарыстоўвайце зацверджаныя ахоўныя прыстасаванні, напрыклад, супрацьпылавыя рэспіратары, адмыслова распрацаваныя для адфільтравання мікраскапічных часціц.

- Пры трапленні пад інструмент старонняга прадмета, аглядыце яго на наяўнасць пашкоджанняў і вырабіце неабходны рамонт.
- Пры ўзнікненні празмернай вібрацыі заглушыце інструмент і неадкладна высвятліце чыннік. Вібрацыя звычайна з'яўляецца прыкметай пашкоджання.
- Перад тым, як пакінуць працоўнае месца, вырабіце рамонт, агляд ці ачыстку інструмента, адключыце яго і пачакайце да поўнага спынення.
- Забараняецца здымаць або змяняць ўнутраныя дэталі.

Адмысловыя правілы па тэхніцы бяспекі

- Беражыце пальцы! Выкарыстоўвайце пальчаткі! Не трымаеце рукі і іншыя часткі цела зблізка зоны дзеяння свідра ці свердзель. Трымаеце другую руку на дадатковай ручцы.
- Выкарыстоўвайце ахоўныя слухаўкі. Уздзеянне шуму можа прывесці да страты слыху.
- Добра трымаеце свідар, каб прадухіліць страту



кіравання.

- Не трымаеце дэталі якую апрацоўваеце рукамі ці нагамі. Пры працы неабходна забяспечыць максімальную абарону аператара, мінімізаваць рызыку страты кіравання.
- Не выкарыстоўвайце пашкоджаныя ці непадыходныя свердзелы.
- Для замацавання апрацоўванай дэталі на ўстойлівай платформе выкарыстоўвайце ціскі ці іншыя прыстасаванні. Утрымліванне дэталі рукой ці цэлам ненадзейна і можа прывесці да страты кіравання.

РАСПАКАВАННЕ

Пры распакаванні, праверце наяўнасць усіх элементаў. Глядзіце чарцяжы да дадзенай інструкцыі. Пры адсутнасці або няспраўнасці некаторых дэталей, звярніцеся ў цэнтр падтрымкі ІVT.

ПАЧАТАК ЭКСПЛУАТАЦЫІ

Значэнне напружання харчавання павінна адпавядаць паказанаму ў табліцы пашпартных дадзеных інструмента.

БЕСКЛЮЧЕВОЙ ПАТРОН (6) [F1]

Эти электроинструменты оснащены быстрозажимным сверлильным патроном. Таким образом, исключая использование ключа. Вы можете самостоятельно и быстро менять принадлежности.

- Прочно удерживая заднюю часть зажимного патрона, поворачивайте его переднюю часть против часовой стрелки до получения подходящей ширины для вставки/замены сверла.
- Вставьте/замените сверло.
- Поворачивайте переднюю часть патрона (6) по часовой стрелке, прочно удерживая его заднюю часть, пока сверло не зафиксируется.

ВКЛЮЧИТЬ / ВЫКЛЮЧИТЬ

Включение на короткое время

Кнопку (4) нажать и отпустить.

Длительное включение

Включение

Кнопку (4) нажать и зафиксировать фиксатором (5).

Выключение

Кнопку (4) нажать и отпустить.

[F2]

БЕССТУПЕНЧАТАЯ РЕГУЛИРОВКА СКОРОСТИ



Изменение оборотов от 0 до максимума, зависит от силы нажатия на кнопку (4).

Слабый нажим соответствует малому числу оборотов, что позволяет плавно включать машину.

Не оказывать на инструмент чрезмерного давления, это приведет к остановке и перегрузке двигателя!

РЕГУЛИРУЕМАЯ СКОРОСТЬ

При помощи регулятора скорости (3) выставляется необходимое количество оборотов:

- Кнопку (4) нажать и зафиксировать фиксатором (5).
- Установить нужное количество оборотов.

Нужное количество оборотов выбирается в зависимости от обрабатываемого Вами материала. При продолжительной работе на низких оборотах необходимо охладить инструмент в течении 3 минут, для этого установить максимальное число оборотов и оставить инструмент работать на холостом ходу.

[F3]

РЕВЕРС

Переключатель реверса (2) использовать, только после полной остановки двигателя.

З дапамогай перамякача кірунку кручэння (2) кірунак кручэння машыны можа быць зменена (калі працуе перамякач "УКЛ." / "Адкл." (4), перамякач кірунку кручэння (2) блакуецца).

Вращение вправо

Переключатель реверса (2) нажать вправо до упора.

Вращение влево

Переключатель реверса (2) нажать влево до упора.

[F4]

ІНСТРУКЦЫІ ПА ЭКСПЛУАТАЦЫІ

ВНИМАНИЕ: Перед началом бурения проверьте площадку на наличие скрытой опасности, например, электрических кабелей, водопровода, проложенных под землей. Используйте металлодетектор.

Сверление дерева и пластмассы

Для предотвращения расщепления дерева вокруг высверливаемых отверстий с обратной стороны поместите под рассверливаемое дерево ненужный деревянный брус.

Сверление металла

Машину можно использовать для сверления металла (листовой стали, алюминия, меди).

Отметьте кернером точку сверления, чтобы обеспечить точное расположение головки сверла.

Ввинчивание

Для предотвращения соскальзывания или повреждения головки винта используйте наконечник отвертки, соответствующий размеру головки. Для извлечения винтов переведите переключатель направления в обратное положение, надавите на головку винта и медленно нажмите выключатель.

АБСЛУГОЎВАННЕ І ЗАХАВАННЕ



АСЦЯРОЖНА! Перш чым пачаць працу з інструментам, дастаньце сеткавай штэпсель.

- Утрымоўвайце прыбор і вентыляцыйныя адтуліны (ёсць у наяўнасці) ў чысціні. Рэгулярная ачыстка і абслугоўванне гарантуюць высокую эфектыўнасць і працяглую эксплуатацыю інструмента. У выпадку выхаду з ладу, нягледзячы на здзейсненыя ўмовы вытворчасці і выпрабаванняў, рамонт павінен выконвацца ў афіцыйным сервісным цэнтры IVT.
- Усе гайкі, ніты і шрубы павінны быць шчыльна зацягнуты.
- Замяніце пашкоджаныя ці зношаныя дэталі.
- Выкарыстоўвайце толькі фірмовыя запчасткі: ад іншых вытворцаў могуць не падыходзіць і выклікаць дэфармацыю.
- Захоўваеце інструмент у сухім недаступным для дзяцей месцы, на бяспечнай адлегласці ад лёгкаўзгаральных матэрыялаў.
- Пазбягайце траплення вады на інструмент!

АХОВА НАВАКОЛЬНАГА АСЯРОДДЗЯ



Другаснае выкарыстанне сыравіны замест выкідвання яго ў смецце!

Інструмент, дадатковыя прылады і ўпакоўка падлягаюць экалагічна чыстай утылізацыі.

Пластыкавыя элементы адпраўляюцца на класіфікаваную перапрацоўку. Данае кіраўніцтва па эксплуатацыі надрукавана на другаснай паперы, якая не змяшчае хлор.



 BE



УВАГА! ВЫКОНВАЦЬ РАМОНТ ВЫРАБА САМАСТОЙНА І СПРАБАВАЦЬ СХАВАЦЬ ЯГО СЛЯДЫ Абсалютна НЕДАПУШЧАЛЬНА! Толькі аўтарызаваны IVT Сэрвіс-Цэнтр мае права на правядзенне рамонту і пашыранага тэхнічнага абслугоўвання. Унясенне зменаў ва ўнутраную структуру выраба забаронена! ТАКІЯ ДЗЕЯННІ НЕ ТОЛЬКІ З'ЯЎЛЯЮЦА ПАДСТАВАЙ У АДМОВЕ АД ГАРАНТЫЙНЫХ АБАВЯЗКАЎ, АЛЕ І МОГУЦЬ СТАЦЬ ПРЫЧЫНАЙ ПАШКОДЖАННЯЎ І СУР'ЁЗНЫХ КАЛЕЦТВАЎ.

ХАРАКТЕРИСТИКИ ІНСТРУМЕНТУ

Модель	D-450-RC
Напруга ~ Частота [В ~ Гц]	230 ~ 50
Номінальна потужність [Вт]	450
Частота обертання на холостому ході [об./хв.]	0 - 2800
Частота ударів [удар/хв.]	-
Продуктивність буріння по сталі [мм]	10
Продуктивність буріння по дереву [мм]	20
Продуктивність буріння по бетону [мм]	-
Вага [кг]	1.4
Клас захисту	II

СКЛАДНИКИ

1. Вентиляційні отвори
2. Перемикач реверсу
3. Дискові перемикачі швидкостей
4. Вмикач / Вимикач
5. Фіксатор вимикача
6. Безключовий патрон

ВМІСТ КОРОБКИ

Інструкція з експлуатації (1 екз.), набір карбонових щіток (1 шт.), затискний ключ (1 шт.).

ПРИЗНАЧЕННЯ

Даний модельний ряд ударного бура призначений для ударного буріння цегли, бетону, а також свердління по дереву, металу, кераміці і пластмасі. Машини з електронним керуванням і обертанням в праву / ліву сторони також можуть використовуватися для закручування болтів і нарізування різьби.

ТЕХНІКА БЕЗПЕКИ ПРИ ЕКСПЛУАТАЦІЇ

Загальні правила безпеки

Наступні інструкції з техніки безпеки допоможуть користувачеві правильно використовувати інструмент і забезпечити власну безпеку. Тому слід прочитати їх уважно.

У разі передачі інструменту третій особі слід передати і ці інструкції з техніки безпеки.

Збережіть цю інструкцію та іншу літературу, що входить в комплект поставки.

Дотримуйтесь правил техніки безпеки та застережень на інструменті.

Перед початком роботи ознайомтеся з органами управління і правилами експлуатації інструменту, але, перш за все, дізнайтеся, як зупинити інструмент

в випадку надзвичайної ситуації.

Дотримання цих простих інструкцій допоможе підтримати ваш інструмент у справному стані.

- Перед використанням інструмент необхідно правильно зібрати.
- Використовуйте інструмент тільки за призначенням.
- Вивчіть попереджувальні написи на приладі, дотримуйтесь вказівок щодо використання захисних пристроїв. Запобігти нещасним випадкам допоможуть уважність, розумний підхід до роботи і відповідна підготовка осіб, задіяних в експлуатації, транспортуванні, обслуговуванні та зберіганні інструменту.
- Не залишайте інструмент без нагляду.
- Не допускайте використання інструменту дітьми.
- Не дозволяйте дітям гратися з інструментом.
- Не допускайте знаходження поблизу дітей і тварин. Сторонні особи повинні знаходитися на безпечній відстані від працюючого інструменту.
- При роботі з інструментом користувач несе відповідальність за третіх осіб.
- Особи, які не ознайомлені з інструкціями з експлуатації, діти, неповнолітні, які не досягли віку, який дозволяє використовувати інструмент, а також особи, що перебувають у стані алкогольного або наркотичного сп'яніння, або під впливом медичних препаратів, не допускаються до роботи з інструментом. Вік оператора встановлюється у місцевих нормативних актах.



ОБЕРЕЖНО! Алкоголь, деякі лікарські препарати та наркотичні речовини, а також стан нездоров'я, жар і стомлення знижують швидкість реакції. Не використовуйте цей інструмент у перерахованих вище випадках.

- Переконайтеся, що всі захисні пристрої (якщо вони є в наявності) встановлені і придатні до експлуатації.
- Не використовуйте інструмент з пошкодженими захисними пристроями (якщо вони є в наявності) або без них.
- Огляньте інструмент на наявність незакріплених деталей (гайок, болтів, гвинтів. тощо) або пошкоджень. Щоб забезпечити безпечну роботу інструменту, періодично перевіряйте, чи добре затягнуті гвинти і гвинти (якщо вони є в наявності). При необхідності перед використанням інструменту здійсніть його ремонт або заміну. В разі використання пошкодженого інструменту оператору або стороннім особам можуть бути нанесені серйозні травми.
- Для роботи використовуйте відповідний спецодяг. Просторий одяг, прикраси можуть бути затягнуті рухомими вузлами. Використовуйте відповідний спецодяг. Захистіть ноги та ступні від сміття, що розлітається. Не працюйте босоніж або у відкритих сандалях. Зберіть довге волосся ззаду.
- Утримуйте ручки і рукоятки у чистоті і сухості.
- Використовуйте відповідні захисні пристрої. Використовуйте захисні окуляри і рукавички. При роботі з порошками або при викидах вихлопних газів використовуйте протипиловий респиратор. При необхідності одягніть неслизьке взуття, каску і вушні вкладки. Якщо рівень шуму перевищує 85 дБ (А), обов'язково використовуйте захисні навушники.



ОБЕРЕЖНО! Використовуйте засоби індивідуального захисту! Захисні пристрої та ЗІЗ забезпечують захист вашого здоров'я і здоров'я людей, що знаходяться навколо вас, а також гарантують безперебійну роботу інструменту.

- Не запускайте інструмент, якщо він перевернутий або знаходиться в неробочому стані.
- Під час роботи зберігайте стійке положення. Постійно зберігайте рівновагу.
- Перед використанням приборіть з робочого майданчика всі сторонні предмети, уникайте потрапляння під інструмент сторонніх предметів

під час роботи. Дотримуйтеся чистоти на робочій ділянці. На захаршених ділянках спостерігається високий рівень травматизму.

- Не перевантажуйте інструмент.
- Використовуйте інструмент тільки при денному або достатньому штучному освітленні. Не використовуйте інструмент в умовах поганої видимості.
- Не впускайте інструмент, не допускайте зіткнення інструменту з будь-якими перешкодами.

ОБЕРЕЖНО! Будьте уважні. Слідкуйте за роботою. Відволікшись, можна втратити керування. Підходьте до роботи з розумом.

Правила електробезпеки

УВАГА! З метою запобігання удару електричним струмом, заподіяння особистої шкоди або загоряння при використанні електроінструментів, необхідно дотримуватися наступних інструкцій з техніки безпеки. Перед використанням інструменту прочитайте і ретельно виконуйте ці інструкції.

- Для підвищення рівня безпеки рекомендовано використовувати пристрій диференціального захисту (ПДЗ), розрахований на струм відключення не більше ніж 30 мА. Перевіряйте ПДЗ при кожному використанні. Проконсультуйтеся у кваліфікованого електрика.



УВАГА! Використання ПДЗ або іншого переривника не звільняє оператора від обов'язкового ознайомлення з правилами техніки безпеки і прийомами безпечної роботи, зазначеними в цій інструкції.

- Напруга мережі повинна відповідати значенню, зазначеному на табличці або ярлику. Не використовуйте інші джерела живлення.
- Перед підключенням інструменту до мережі переконайтеся, що розетка відповідає даним, зазначеним на ярлику.
- Уникайте контакту з поверхнями (трубами, радіаторами, батареями та рефрижераторами). При заземленні через тіло ризик удару електричним струмом підвищується.



ОБЕРЕЖНО! Щоб уникнути опіку або ураження електричним струмом, не торкайтеся електропровідних деталей.

- Не тягніть за кабель при переміщенні інструменту.
- Використовуйте шнур з обережністю. Бережіть шнур від впливу тепла, уникайте його контакту з мастильними матеріалами, а також гострими предметами або вузлами, що рухаються.
- Будьте обережні зі шнуром.
- Не використовуйте електроінструменти поблизу легкозаймистих рідин і горючих газів.
- Перед тим, як переносити інструмент на інше місце, відключайте його від мережі.



ОБЕРЕЖНО! Інструмент необхідно спочатку відключити, а потім від'єднати від розетки або подовжувача.

- Не затискайте подовжувач під час роботи інструменту. Не втрачайте кабель з виду.
- Не підключайте подовжувач безпосередньо до інструменту самостійно. Зверніться до найближчого офіційного центру обслуговування.
- При пошкодженні дроту живлення, щоб уникнути небезпеки, його повинен замінити виробник або його агент, або аналогічна кваліфікована особа.
- негайно витягти вилку з розетки, якщо кабель пошкоджений або розрізаний.



УВАГА! НЕБЕЗПЕКА УРАЖЕННЯ ЕЛЕКТРИЧНИМ СТРУМОМ!

Слідкуйте за виробничим середовищем. Не використовуйте електроінструменти під час дощу. Не використовуйте електроінструменти у вологих і сирих приміщеннях. Тримайте робочу ділянку в сухості, забезпечте достатнє освітлення. Бережіть інструмент від вологи. Не залишайте прилад на відкритому повітрі на ніч. При попаданні води в електроінструмент підвищується ризик удару електричним струмом.

- Регулярно і кожного разу перед використанням перевіряйте кабель живлення на наявність пошкоджень і ознак зносу. Не використовуйте інструмент з пошкодженим кабелем; зверніться до офіційного сервісного центру.

- При роботі поза приміщенням використовуйте тільки призначені для цього подовжувачі з відповідним маркуванням. Уникайте потрапляння кабелю під інструмент, оберігайте його від вологи, від впливу тепла, уникайте контакту із мастильними матеріалами та легкозаймистими речовинами.

- Уникайте випадкового запуску: перед підключенням до мережі переконайтеся, що вимикач знаходиться в положенні «off» (вимк.)
- Перед увімкненням інструменту витягніть регульовальні клини та ключі.
- Не використовуйте інструмент з несправним вимикачем. Інструмент з пошкодженим вимикачем становить небезпеку і вимагає ремонту.



УВАГА! Інколи під час роботи електроінструментів утворюється пил, що містить хімічні речовини, що викликають рак.

До таких хімічних речовин відносяться: свинець у складі свинцевого біліла, кварц, що входить до складу цегли і цементу, миш'як і хром, що містяться в пиломатеріалах, оброблених хімічними реагентами, та інші шкідливі речовини. Ризик впливу цих хімічних речовин залежить від частоти проведення пов'язаних з ними робіт.

Щоб скоротити їх шкідливий вплив, працюйте в добре провітрюваному приміщенні і використовуйте затверджені ЗІЗ, наприклад, протипилові респіратори, спеціально призначені для фільтрування мікроскопічних часток.

- При попаданні під інструмент стороннього предмета, огляньте його на наявність пошкоджень і зробіть необхідний ремонт.
- При виникненні надмірної вібрації вимкніть інструмент негайно з'ясуйте причину. Вібрація зазвичай є ознакою пошкодження.
- Перед тим, як залишити робоче місце, проведіть ремонт, огляд або очищення інструменту, вимкніть його і дочекайтесь повної його зупинки.
- Забороняється знімати або змінювати внутрішні деталі інструменту.

Особливі правила з техніки безпеки

- Бережіть пальці! Використовуйте рукавички! Не тримайте руки та інші частини тіла поблизу зони дії бура або свердла. Тримайте другу руку на додатковій ручці.
- Використовуйте захисні навушники. Вплив шуму може призвести до втрати слуху.
- Міцно тримайте бур, щоб запобігти втраті управління.
- Не тримайте оброблювану деталь руками або ногами. При роботі необхідно забезпечити



максимальний захист оператора, мінімізувати ризик втрати керування.

- Не використовуйте пошкоджені невідповідні свердла.
- Для закріплення оброблюваної деталі на стійкій платформі використовуйте лещата або інші пристосування. Утримання деталі рукою чи тілом ненадійно і може призвести до втрати управління.

РОЗПАКУВАННЯ

При розпакуванні перевірте наявність всіх елементів. Див. креслення до даного керівництва. При відсутності або несправності деяких деталей зверніться до центру підтримки IVT.

ПОЧАТОК ЕКСПЛУАТАЦІЇ

Значення напруги живлення повинно відповідати зазначеному в таблиці паспортних даних інструменту.

БЕЗКЛЮЧОВИЙ ПАТРОН (6) [F1]

Ці електроінструменти оснащені швидко затискним патроном. Таким чином, виключаючи використання ключа, Ви можете самостійно і швидко змінювати речі.

- Міцно утримуючи задню частину затискного патрона, повертайте його передню частину проти годинникової стрілки до отримання відповідної ширини для вставки / заміни свердла.
- Вставте / замініть свердло.
- Повертайте передню частину патрона (6) за годинниковою стрілкою, міцно утримуючи його задню частину, поки свердло не зафіксується.

УВІМКНУТИ / ВИМКНУТИ

Включення на короткий час

Натисніть на вимикач «увімкнено / вимкнено» (4), потім вимкніть.

Тривалий включення

Включення

Кнопку (4) натиснути і зафіксувати фіксатором (5).

Виключення

Кнопку (4) натиснути і відпустити.

[F2]

ПЛАВНЕ РЕГУЛЮВАННЯ ШВИДКОСТІ



Зміна оборотів від 0 до максимуму, залежить від сили натискання на кнопку (4). Слабкий натиск відповідає малому числу оборотів, що дозволяє плавно включати машину. Чи не чинити на інструмент надмірного тиску, це призведе до зупинки і перевантаження двигуна!

РЕГУЛЬОВАНА ШВИДКІСТЬ

За допомогою регулятора швидкості (3) виставляється необхідна кількість оборотів:

- Кнопку (4) натиснути і зафіксувати фіксатором (5).
- Встановити потрібне кількість оборотів. speed.

Потрібна кількість оборотів вибирається в залежності від оброблюваного Вами матеріалу.

При тривалій роботі на низьких обертах необхідно охолодити інструмент протягом 3 хвилин, для цього встановити максимальне число оборотів і залишити інструмент працювати на холостому ході .

[F3]

РЕВЕРС

Перемикач реверсу (2) використовувати, тільки після повної зупинки двигуна.

Зміна напрямку обертання бура виконується перемикачем напрямку обертання (2) (якщо вимикач «увімкнено / вимкнено» (4) стоїть в позиції «увімкнено», то перемикач напрямку обертання (2) блокується).

Обертання праворуч

Перемикач реверсу (2) натиснути праворуч до упору.

Обертання ліворуч

Перемикач реверсу (2) натиснути ліворуч до упору.

[F4]

ІНСТРУКЦІЇ ЕКСПЛУАТАЦІЇ

УВАГА: перед початком буріння перевірте майданчик на наявність прихованої небезпеки, наприклад, електричних кабелів, водо - або газопроводу, прокладених під землею. Використовуйте металодетектор.

Свердління дерева і пластмаси

Для запобігання розщеплення дерева навколо висвердлованих отворів зі зворотного боку помістіть під розсвердлюване дерево непотрібний дерев'яний брус.



Інструкція для експлуатації

Свердління металу

Машину можна використовувати для свердління металу (листової сталі, алюмінію, міді).

Відзначте кернером точку свердління, щоб забезпечити точне розташування голівки свердла.

Вгвинчування

Для запобігання зісковзування або пошкодження головки гвинта використовуйте наконечник викрутки, відповідний розміру головки. Для вилучення гвинтів переведіть перемикач напрямку в зворотне положення, натисніть на головку гвинта і повільно натисніть вимикач.

ОБСЛУГОВУВАННЯ ТА ЗБЕРІГАННЯ



ОБЕРЕЖНО! Перш ніж почати роботу з інструментом, витягніть мережний штепсель.

- Тримайте інструмент і вентиляційні отвори (якщо вони є в наявності) в чистоті. Регулярне очищення та обслуговування гарантують високу ефективність і тривалу експлуатацію інструменту. У разі виходу з ладу, не дивлячись на зроблені помилки умови виробництва та випробувань, ремонт повинен виконуватися в офіційному сервісному центрі IVT.
- Всі гайки, болти і гвинти повинні бути щільно затягнуті.
- Замініть пошкоджені або зношені деталі.
- Використовуйте тільки оригінальні запчастини. Деталі, виготовлені стороннім виробником, прилягають нещільно і підвищують ризик виникнення травм.
- Зберігайте інструменту сухому недоступному для дітей місці, на безпечній відстані від легкозаймистих матеріалів.
- Запобігайте попадання води на інструмент!

ЗАХИСТ НАВКОЛИШНЬОГО СЕРЕДОВИЩА



Відправляйте сировину на вторинну переробку замість того, щоб викидати її на сміття!

Інструмент, додаткові пристосування та упаковка підлягають екологічно безпечній утилізації.

Пластикові елементи відправляються на класифіковану переробку. Цей посібник з експлуатації надруковано на Вторинному папері, який не містить хлор.



UK



УВАГА! ЗДІЙСНЮВАТИ РЕМОНТ ВИРОБУ САМОСТІЙНО І НАМАГАТИСЯ ПРИХОВАТИ ЙОГО СЛІДИ АБСОЛЮТНО НЕПРИПУСТИМО! Тільки авторизований IVT Сервіс-Центр має право на здійснення ремонту і розширеного технічного обслуговування. Внесення змін у внутрішню будову виробу заборонено! ТАКІ ДІЇ НЕ ТІЛЬКИ Є ПІДСТАВОЮ ДЛЯ ВІДМОВИ ВІД ЗОБОВ'ЯЗАНЬ, АЛЕ Й МОЖУТЬ ПРИЗВЕСТИ ДО УШКОДЖЕНЬ І СЕРЬОЗНИХ КАЛІЦТВ.

SPECIFICHE TECNICHE

Modello	D-450-RC
Voltaggio ~ Frequenza [V ~ Hz]	230 ~ 50
Potenza nominale [W]	450
Velocità a vuoto [RPM]	0 - 2800
Percussione [BPM]	-
Capacità massima di foratura metallo [mm]	10
Capacità massima di foratura legno [mm]	20
Capacità massima di foratura calcestruzzo [mm]	-
Peso [Kg]	1.4
Classe di sicurezza	II

COMPONENTI

1. Prese d'aria
2. Interruttore della direzione di rotazione
3. Rotellina per la regolazione della velocità
4. Interruttore di avvio / arresto
5. Pulsante di bloccaggio interruttore di avvio / arresto
6. Mandrino autoserrante

CONTENUTO DELLA CONFEZIONE

Manuale d'istruzioni (1 pz), set di spazzole di carbone (1 pz), chiave per mandrino (1 pz).

UTILIZZO

Questo strumento può essere utilizzato per forare mattoni o cemento, legno o metallo, ceramica o plastica. L'utensile, grazie alla possibilità di invertire la direzione di rotazione, può anche essere utilizzato anche per avvitare / svitare e filettare.

NORME DI SICUREZZA PER L'USO

Regole generali di sicurezza

Le seguenti istruzioni di sicurezza servono per il corretto utilizzo dello strumento e per la tutela della propria sicurezza, pertanto si prega di leggere molto attentamente.

Quando si passa questo strumento ad una terza persona, anche queste istruzioni devono essere consegnate.

Conservare questo manuale di istruzioni e tutta la documentazione in dotazione con lo strumento per farvi riferimento in futuro, in caso di bisogno.

Integrare le seguenti norme di sicurezza con le indicazioni riportate sul prodotto.

Prendere confidenza con tutti i pulsanti e i controlli e assicurarsi di conoscere il corretto utilizzo dello strumento prima di iniziare a utilizzarlo, ma soprattutto

assicurarsi di sapere come interromperne l'uso in caso di emergenza.

Seguire queste semplici istruzioni contribuirà inoltre a mantenere lo strumento in buone condizioni di lavoro.

- Lo strumento deve essere montato correttamente prima dell'uso.

- Usare lo strumento solamente per gli scopi per cui è stato progettato.

- In aggiunta al prodotto sono state progettate anche delle etichette di sicurezza che devono essere prese in considerazione assieme con le indicazioni in merito all'equipaggiamento di sicurezza che deve essere adottato. La prevenzione di incidenti dipende dalla consapevolezza, dal buon senso e dalla formazione adeguata di tutti i soggetti coinvolti nell'utilizzo, nel trasporto, nella manutenzione e stoccaggio dello strumento.

- Non lasciare mai lo strumento incustodito.

- Non permettere ai bambini di utilizzare lo strumento.

I bambini devono essere tenuti sempre sotto controllo per impedire che giochino con lo strumento.

- Tenere i bambini e gli animali domestici lontano.

I terzi devono essere mantenuti a un'opportuna distanza di sicurezza quando lo strumento è in uso.

Interrompere l'utilizzo se vi sono nei paraggi altre persone, specialmente bambini o animali domestici.

- L'utente è responsabile per i terzi, mentre lavora con lo strumento.

- Le persone che non conoscono le istruzioni per l'uso, i bambini, i minori che non hanno ancora raggiunto l'età minima per l'utilizzo di questo strumento e le persone sotto l'influenza di alcool, droghe o farmaci non sono autorizzati ad utilizzare lo strumento. Alcune normative locali possono stabilire l'età minima dell'utilizzatore.



ATTENZIONE! Il consumo di alcool, farmaci e droghe, oltre a stati di malattia, febbre e stanchezza possono influenzare la capacità di reagire. Non usare lo strumento in una o più di queste condizioni.

- Assicurarsi che tutti i dispositivi di protezione (se presenti) siano montati correttamente e che siano in buone condizioni.

- Non usare mai lo strumento con i dispositivi di sicurezza o eventuali protezioni (se presenti) difettosi o senza dispositivi di sicurezza correttamente montati.

- Ispezionare bene lo strumento per cercare parti eventualmente allentate (per esempio: dadi, bulloni, viti, etc) e eventuali danni. Controllare a intervalli frequenti, che viti e bulloni siano adeguatamente serrati e che le attrezzature siano in buone condizioni di lavoro. Ripararle o sostituirle, se necessario, prima di utilizzare lo strumento. Gravi lesioni all'operatore e ai presenti possono verificarsi se vi è un danno allo strumento.

- Durante il funzionamento dello strumento, vestirsi adeguatamente. Non indossare abiti larghi o gioielli che potrebbero impigliarsi nello strumento. Indossare indumenti da lavoro adatti. Si raccomanda che le gambe e i piedi siano ben coperti, al riparo da eventuali schegge durante il lavoro. Non utilizzare lo strumento se si è a piedi nudi o con sandali aperti. I capelli lunghi devono essere raccolti dietro la nuca.

- Mantenere tutte le impugnature e i manici asciutti, puliti e privi di olio o grasso.

- Usare dispositivi di protezione. Usare occhiali di protezione e guanti di sicurezza. Indossare anche una mascherina antipolvere durante le operazioni polverulente e se sono presenti gas di scarico. Quando è necessario, indossare anche scarpe robuste e antiscivolo, casco e tappi per le orecchie. Se il livello di rumore supera 85 dB (A), è obbligatoria una protezione acustica.



ATTENZIONE! Utilizzare dispositivi di protezione personale! I dispositivi di sicurezza e le attrezzature di protezione personale proteggono la propria salute e la salute degli altri e garantiscono un funzionamento senza problemi dello strumento.

- Non iniziare ad utilizzare lo strumento se questo è capovolto o non è nella corretta posizione di lavoro.

- Accertarsi di avere una corretta posizione mentre si opera con lo strumento. Mantenere una posizione salda e un buon equilibrio in ogni momento.

- Tenere pulita l'area di lavoro. Prima dell'uso dello strumento, tutti gli eventuali ostacoli devono essere rimossi dalla zona di lavoro; prestare attenzione anche a eventuali corpi estranei durante il lavoro.

- Non forzare lo strumento.

- Lavorare solo alla luce del giorno o comunque in condizioni di sufficiente illuminazione artificiale. Non utilizzare mai lo strumento senza una buona visibilità.

- Fare attenzione a non fare cadere lo strumento o ad urtarlo contro ostacoli.

ATTENZIONE! Mantenere sempre un'attenzione costante. Prestare attenzione a quello che si sta facendo. La distrazione può causare la perdita di controllo. Utilizzare il buon senso.

Regole di sicurezza elettriche

ATTENZIONE! Quando si usano utensili elettrici, si devono osservare le seguenti istruzioni di sicurezza per evitare il rischio di scosse elettriche, lesioni personali e incendio. Leggere e osservare attentamente tali istruzioni prima di utilizzare lo strumento.

- Per una maggiore sicurezza, si raccomanda di usare un dispositivo di protezione dalla corrente residua (RCD) con una corrente di apertura non superiore ai 30 mA. Controllare sempre tale dispositivo ogni volta che si usa la macchina. Consultare un elettricista affidabile.



ATTENZIONE! L'uso di un RCD o di un salvavita nel cablaggio non dispensa l'utente dal considerare le seguenti istruzioni di sicurezza e seguire indicazioni di lavoro sicure illustrate in questo manuale.

- Il valore di tensione della corrente deve corrispondere a quello descritto sulla targhetta dei dati tecnici. Non usare altri voltaggi. La connessione del dispositivo a qualsiasi altra fonte di energia può causare danni.

- Prima di inserire la spina nella presa della corrente, assicurarsi che il voltaggio sia corretto e corrisponda a quello riportato sulla targhetta dell'apparecchio.

- Evitare il contatto del corpo con eventuali oggetti a terra, come tubi, radiatori, fornelli e frigoriferi. C'è un aumento del rischio di scosse elettriche se il corpo è messo a terra.



ATTENZIONE! Toccare le parti elettrificate può causare morte per scosse elettriche o bruciature.

- Non spostare mai l'apparecchio tirandolo per il cavo.
- Non tirare il cavo elettrico. Tenerlo lontano da fonti di calore, olio, spigoli vivi o parti in movimento.
- Guidare i cavi elettrici sempre in modo sicuro.
- Non utilizzare utensili elettrici vicino a liquidi o a gas infiammabili.
- Scollegare sempre l'apparecchio dalla rete elettrica prima di trasportarlo in altri luoghi.



ATTENZIONE! L'apparecchio deve sempre essere staccato dalla corrente prima di scollegare qualsiasi connettore ad innesto o prolungha.

- Non passare l'apparecchio sopra al cavo elettrico mentre lo strumento è in funzione. Assicurarsi di sapere sempre dove si trova il cavo.
- Non collegare da sé un cavo di alimentazione direttamente al dispositivo. Portarlo presso il punto di assistenza più vicino.
- Per evitare qualsiasi rischio, in caso di danneggiamento, il cavo di alimentazione dovrebbe essere sostituito dal produttore o da un suo agente, o comunque da personale qualificato.
- Staccare immediatamente la spina dalla presa di corrente se il cavo è danneggiato o tagliato.



ATTENZIONE! PERICOLO DI SCOSSA ELETTRICA!

Esaminare sempre l'ambiente di lavoro. Non esporre i dispositivi elettrici alla pioggia. Non utilizzare gli elettro utensili in luoghi umidi o bagnati. Mantenere l'area di lavoro ben illuminata ed asciutta. Evitare che il dispositivo si bagni o venga esposto all'umidità. Non lasciarlo fuori la notte. Se entra acqua in un apparecchio elettrico vi è un aumento del rischio di scosse elettriche.

- Il cavo di alimentazione deve essere controllato periodicamente e, prima di ogni utilizzo, assicurarsi che non sia danneggiato o usurato. Se il cavo non è in buone condizioni, non utilizzare l'apparecchio; portarlo in un centro di assistenza autorizzato.
- Quando lo strumento viene impiegato all'aperto, utilizzare esclusivamente un cavo di prolunga per esterni, marchiato per questo uso specifico. Tenerlo lontano

dalla zona di lavoro, da umidità, superfici bagnate o oleose e lontano da fonti di calore e combustibili.

- Evitare qualsiasi avviamento involontario del dispositivo: accertarsi che l'interruttore di accensione sia spento prima di collegare lo strumento alla corrente.
- Rimuovere eventuali chiavi di regolazione prima di accendere lo strumento.
- Non utilizzare lo strumento se l'interruttore di accensione/spengimento è difettoso o non funziona correttamente. Qualsiasi strumento che non può essere controllato tramite il suo interruttore è pericoloso e deve essere riparato.



ATTENZIONE! Durante l'utilizzo dello strumento, potrebbero essere prodotte alcune polveri contenenti sostanze chimiche che possono causare il cancro, difetti genetici e altri problemi riproduttivi.

Alcune di queste sostanze chimiche sono: vernici a base di piombo, silice cristallina di mattoni e cemento e altri prodotti per muratura, arsenico e cromo derivanti da legname trattato chimicamente e altri prodotti pericolosi. Se tali polveri sono presenti, il rischio varia in base alla lunghezza dell'esposizione e al tipo di lavoro.

Per ridurre l'esposizione a tali sostanze chimiche, ogni volta che si compiono operazioni polverulente, lavorare in una zona ben ventilata con dispositivi di sicurezza approvati, come le maschere anti-polvere, che sono state appositamente progettate per filtrare anche le particelle microscopiche.

- Se con lo strumento si colpisce un corpo estraneo, esaminare il dispositivo per individuare eventuali danni e procedere con tutte le riparazioni necessarie prima di riavviare e continuare a lavorare.
- Se lo strumento inizia a vibrare in modo anomalo, spegnerlo e cercare di individuare immediatamente la causa. Vibrazioni anomale sono dovute generalmente a malfunzionamenti.
- Spegnerlo sempre il dispositivo e aspettare che esso si sia fermato completamente quando lo si lascia incustodito, prima di fare manutenzione, prima di controllarlo e pulirlo.
- È proibito modificare o rimuovere qualsiasi parte interna del dispositivo.

Regole di sicurezza specifiche

- Prestare attenzione alle dita! Indossare i guanti protettivi! Mantenere le mani e l'intero corpo fuori dall'area di foratura. Tenere sempre la seconda mano sulla maniglia ausiliaria.
- Indossare le protezioni per le orecchie quando si utilizza un trapano a percussione: l'esposizione prolungata al rumore può causare perdita dell'udito.
- Impugnare saldamente l'utensile per prevenire la perdita del controllo.



- Non impugnare il pezzo da forare con le mani o mantenerlo in posizione con le gambe: è importante garantire un fissaggio sicuro del pezzo, con morsetti o altri sistemi di fissaggio.
- Mai utilizzare punte danneggiate o inadatte per il tipo di lavoro da effettuare.
- Utilizzare morsetti o altri sistemi di fissaggio in grado di assicurare il pezzo in lavorazione ad una solida piattaforma.

ESTRARRE DALL'IMBALLAGGIO

Quando si apre la confezione, assicurarsi che tutti i componenti siano inclusi. Consultare le istruzioni su questo manuale. Per eventuali parti mancanti o danneggiate, si prega di contattare l'assistenza IVT.

MESSA IN FUNZIONE

Usare sempre la corretta tensione di alimentazione: essa deve coincidere con le specifiche riportate sulla targhetta apposta sul prodotto.

MANDRINO AUTOSERRANTE (6) [F1]

Su questo modello è montato un mandrino autoserrante. Ciò permette di cambiare la punta manualmente in modo rapido senza l'utilizzo di chiavi.

- Mantenendo ferma la parte posteriore del mandrino ruotare la parte frontale fino a raggiungere la larghezza ideale per inserire / sostituire la punta.
- Inserire / sostituire la punta.
- Ruotare la parte frontale del mandrino autoserrante (6) mantenendo ferma la parte posteriore fino a quando la punta è ben stretta.

AVVIO / ARRESTO

Breve attivazione

Premere l'interruttore di avvio / arresto (4) e quindi ripetere l'operazione.

Uso continuato

Accensione

Premere l'interruttore di avvio / arresto (4) e bloccarlo con il pulsante di bloccaggio dell'interruttore di avvio / arresto (5).

Spegnimento

Premere e rilasciare l'interruttore di avvio / arresto (4). [F2]

VELOCITÀ A VARIAZIONE CONTINUA



L'utensile può funzionare a diverse velocità che vanno da 0 fino ad un numero massimo che dipende dalla pressione applicata sull'interruttore di avvio / arresto (4).

Una leggera pressione corrisponde ad un basso numero di giri ideale per l'inizio del foro. Non esercitare una eccessiva forza sul trapano per evitare che vada sotto sforzo fino al bloccaggio.

VELOCITÀ REGOLABILE

E' possibile selezionare la massima velocità di rotazione con la rotellina per la regolazione della velocità (3) anche durante l'utilizzo.

- Premere l'interruttore di avvio / arresto (4) e bloccarlo con il pulsante di bloccaggio dell'interruttore di avvio / arresto (5)
- Regolare la velocità.

Regolare la velocità in base al materiale da forare determinandola con fori di prova. Dopo lunghi periodi di lavoro a basse velocità permettere all'utensile di raffreddarsi facendolo funzionare per circa tre minuti alla velocità massima senza carico.

[F3]

CAMBIO DELLA DIREZIONE DI ROTAZIONE

Usare l'interruttore della direzione di rotazione (2) solo quando il trapano è fermo.

Con l'interruttore della direzione di rotazione (2) il senso di rotazione può essere invertito (quando l'interruttore di avvio / arresto (4) è in posizione ON l'interruttore della direzione di rotazione (2) è bloccato).

Rotazione a destra

Posizionare l'interruttore della direzione di rotazione (2) verso destra.

Rotazione a sinistra

Posizionare l'interruttore della direzione di rotazione (2) verso sinistra.

[F4]

ISTRUZIONI OPERATIVE

Attenzione: prima di eseguire un foro assicurarsi che non siano presenti oggetti nascosti sotto la superficie da forare come ad esempio cavi elettrici, acqua o tubi di gas. Aiutarsi con un metal detector.

Forare legno o plastica

Per evitare fori nel legno con sbavature o imprecisioni

posizionare dei pezzi di legno sotto il piano da forare.

Forare metallo

Può essere forato metallo come lamiere di acciaio, alluminio o ottone. Segnare il punto in cui si vuole effettuare il foro in modo tale da creare una prima sede alla punta del trapano.

Avvitare / svitare

Per evitare danni alla testa della vite, utilizzare la punta piu' adatta confrontando le dimensioni della vite. Per svitare impostare il selettore foratura / foratura a percussione nell'altra posizione. Quindi fare pressione sulla vite e premere l'interruttore di avvio / arresto.

MANUTENZIONE E STOCCAGGIO



ATTENZIONE! Prima di qualsiasi intervento sul dispositivo stesso, togliere la spina dalla corrente.

- Tenere sempre lo strumento e le fessure di ventilazione (se presenti) pulite. La regolare pulizia e manutenzione dello strumento ne garantiscono l'efficienza e ne prolungano la vita. Se lo strumento non dovesse funzionare, nonostante le rigorose procedure di collaudo, la riparazione deve essere effettuata da un servizio IVT autorizzato.
- Tenere tutti i dadi, bulloni e viti ben serrati, per essere sicuri che lo strumento sia in buone condizioni operative.
- Sostituire tutte le parti usurate o danneggiate per sicurezza.
- Utilizzare esclusivamente ricambi originali. L'uso di parti di ricambio non originali o non autorizzate dal produttore potrebbero causare scarse prestazioni o lesioni personali.
- Conservare lo strumento in un ambiente asciutto, fuori dalla portata dei bambini e lontano da materiali infiammabili.
- Non bagnare mai il dispositivo, né spruzzare acqua su di esso!

TUTELA AMBIENTALE



Riciclare le materie prime invece di smaltirle come rifiuti.

Lo strumento, gli accessori e l'imballaggio devono essere ordinati per il riciclaggio ecocompatibile.

I componenti in plastica sono classificati per il riciclaggio categorizzato. Queste istruzioni sono stampate su carta riciclata.



 IT



ATTENZIONE! NON TENTARE DI RIPARARE IL PRODOTTO DA SOLI E NON MANOMETTERLO! Qualsiasi operazione di riparazione o di manutenzione straordinaria deve essere eseguita esclusivamente da un Centro di Assistenza IVT qualificato ed autorizzato. Non modificare nessuna componente interna del prodotto! **QUESTO COMPORTAMENTO INVALIDERÀ COMPLETAMENTE LA GARANZIA E POTREBBE CAUSARE INFORTUNI E SERI DANNI MATERIALI.**

SPECIFIKACE NÁŘADÍ

Model	D-450-RC
Napětí ~ Frekvence [V ~ Hz]	230 ~ 50
Jmenovitý výkon [W]	450
Počet otáček na chodu naprázdno [ot./min.]	0 - 2800
Frekvence úderů [úder/min.]	-
Vrtací výkon na ocel [mm]	10
Vrtací výkon na dřevo [mm]	20
Vrtací výkon na beton [mm]	-
Hmotnost [kg]	1.4
Krytí	II

SEZNAM DÍLŮ

1. Ventilační otvory
2. Směrový přepínač otáčení
3. Kotoučový přepínač rychlosti
4. Vypínač
5. Fixační tlačítko vypínače
6. Bezklíčová objímka

OBSAH KRABICE

Návod k použití (1 ks), sada uhlíkových kartáčů (1 ks), klíč pro upínací objímku (1 ks).

ZAMÝŠLENÉ POUŽITÍ

Uvedená modelová řada nárazového vrtáku je určena pro nárazové vrtání cihly, betonu, a také vrtání na dřevo, kov, keramika a plastický materiál. Stroj s elektronickým řízením a otáčením vpravo/ vlevo také mohou se využívat pro zašroubování šroubů a řezání závitů.

BEZPEČNOSTNÍ PŘEDPISY PRO POUŽITÍ

Obecná bezpečnostní pravidla

Následující bezpečnostní pokyny vás mají seznámit se správným použitím nářadí a proto je pozorně čtěte v zájmu vlastního bezpečí.

Při předání nářadí někomu jinému předejte i tyto pokyny. Návod k použití a další literaturu dodávanou s nářadím uschovejte k budoucímu nahlédnutí.

Respektujte všechny bezpečnostní informace a varování uvedené na nářadí.

Seznamte se předem s ovládacími prvky a správným použitím nářadí a hlavně zjistěte, jak nářadí v nouzi správně vypnout.

Dodržováním těchto jednoduchých pokynů také udržíte nářadí v dobrém stavu.

- Nářadí je nutno před použitím správně smontovat.
- Nářadí používejte pouze k účelu, k němuž je určeno.
- Na nářadí mohou být nálepky a další bezpečnostní symboly, které je nutno respektovat. K předcházení nehodám je důležité, aby každý, kdo používá, udržuje nebo skladuje toto nářadí, dával pozor, používal zdravý rozum a byl příslušně vyškolen.
- Nenechávejte nářadí bez dozoru..
- Nesvěřujte nářadí dětem. Děti musí být pod dohledem, aby si s nářadím nehrály.
- Děti a domácí zvířata udržujte v bezpečné vzdálenosti. Při použití nářadí musí být nezúčastněné osoby v bezpečné vzdálenosti.
- Uživatel nářadí nese odpovědnost vůči třetím stranám.
- Osoby neseznámené s návodem k použití, děti a mladiství, kteří nedosáhli minimálního věku předepsaného pro práci s tímto nářadím a také osoby pod vlivem alkoholu, drog nebo léků nesmí s nářadím pracovat. Minimální věk obsluhy mohou určovat místní předpisy.



VAROVÁNÍ! Užívání alkoholu, léků a drog stejně jako nemoc, horečka nebo únava nepříznivě ovlivní vaši reakční schopnost. Za takových okolností nářadí nepoužívejte.

- Zkontrolujte, zda jsou všechny ochranné prvky (pokud jsou instalovány) v dobrém stavu.
- Nepoužívejte nářadí s vadnými ochrannými prvky nebo kryty (pokud jsou instalovány) nebo bez nich.
- Zkontrolujte nářadí, zda nechybí některé součásti (např. šrouby, matice atd.) a zda není poškozeno. Pravidelně a často kontrolujte dotažení šroubů a matic (pokud jsou použity) a také to, zda je nářadí v dobrém stavu. Před použitím nářadí vždy odstraňte všechny závady. Poškozené nářadí může způsobit vážné



poranění obsluhy nebo nezúčastněných osob v okolí.

- Při použití nářadí noste vhodný oděv. Nenoste volný oděv ani šperky, které by nářadí mohlo zachytit. Noste vhodný pracovní oděv. Doporučujeme chránit nohy a chodidla před odletujícími částicemi. Nepracujte bosí ani v sandálech. Dlouhé vlasy stáhněte dozadu.

- Rukojeti a madla uchovávejte suchá, čistá, bez mastnoty a oleje.

- Používejte ochranné pomůcky. Používejte bezpečnostní brýle a rukavice. Při práci v prašném prostředí nebo v přítomnosti výfukových plynů noste respirátor. Dle potřeby i boty s neklouzavou podrážkou, přilbu a ucpávky do uší. Ochrana sluchu je povinná, pokud hluk překračuje 85 dB(A).



VAROVÁNÍ! Používejte osobní ochranné pomůcky! Bezpečnostní výbava a ochranné pomůcky chrání vaše zdraví i zdraví osob v okolí a přispívají k bezproblémovému používání nářadí.

- Nepoužívejte nářadí v poloze vzhůru nohama nebo pokud není v pořádku.

- Ujistěte se, že máte tělo ve stabilní poloze. Neustále kontrolujte pevnost opory a rovnováhu.

- Pracoviště udržujte v čistotě. Nepořádek přispívá ke vzniku úrazů. Před použitím nářadí z pracoviště odstraňte volně položené předměty a dávejte pozor na okolní předměty i během práce.

- Nářadí netlačte násilím do záběru.

- Pracujte za přirozeného světla nebo kvalitního umělého osvětlení. Nepoužívejte nářadí, pokud na práci dobře nevidíte.

- Nářadí chraňte před pády a nárazy do překážek.

POZOR! Buďte pozorní. Soustředte se na práci. Nepozornost může znamenat ztrátu kontroly. Používejte zdravý rozum.

Elektrická bezpečnost

POZOR! Při použití elektrického nářadí je nutno dodržovat následující bezpečnostní pokyny pro předcházení rizika zásahu elektrickým proudem, poranění a požáru. Tyto pokyny pozorně čtete před použitím nářadí a dodržujte je.

- V zájmu zvýšení elektrické bezpečnosti doporučujeme ochranu před svodovým proudem (RCD) s citlivostí do 30 mA. RCD je nutno při každém použití zkontrolovat. Obráťte se na spolehlivého elektrikáře.



VAROVÁNÍ! Použití RCD nebo jističe nezbavuje obsluhu odpovědnosti za dodržování bezpečnostních pokynů a bezpečných pracovních postupů uvedených v tomto návodu.

- Síťové napětí musí odpovídat údajům na štítcích na nářadí a v tomto návodu. Nepoužívejte jiné napájení.

- Před zasunutím koncovky kabelu do elektrické zásuvky zkontrolujte, zda jsou parametry napájecí sítě shodné s údaji na typovém štítku přístroje.

- Vyhněte se dotyku částí těla s uzemněnými povrchy, jako jsou potrubí, radiátory, sporáky a chladničky. Uzemnění těla zvyšuje riziko zásahu elektrickým proudem.



VÝSTRAHA! Dotyk s částmi pod napětím může způsobit úmrtí vlivem zásahu elektrickým proudem nebo popálení.

- Nepřemisťujte nářadí tahem za kabel.

- Nepřetěžujte kabel. Chraňte jej před horkem, olejem, ostrými předměty a pohyblivými díly.

- Kabely vždy vedte bezpečně.

- Elektrické nářadí nepoužívejte v blízkosti hořlavých kapalin nebo plynů.

- Před přemístěním přístroj vždy odpojte od elektrické sítě.



VÝSTRAHA! Před odpojením zásuvky, kabelu nebo prodlužovacího kabelu musí být přístroj vždy odpojen od napájení vytažením zástrčky ze zásuvky na stěně.

- Přístroj nesmí nikdy přejet vlastní nebo prodlužování kabel. Při práci musíte vždy vědět, kde se nachází kabely.

- Pokud je nutno kabel vyměnit, nedělejte to sami; svěťte to autorizovanému servisu.

- V zájmu předcházení poškození je nutno, aby napájecí kabel vyměnil výrobce, jeho servis nebo podobná kvalifikovaná osoba.

- Pokud je kabel poškozen, naříznut nebo přeříznut, nářadí okamžitě odpojte od napájení.



**POZOR! NEBEZPEČÍ ZÁSAHU
ELEKTRICKÝM PROUDEM!**

Plánujte pracovní prostředí. Elektrické nářadí chráňte před deštěm. Nepoužívejte elektrické nářadí ve vlhku a mokru. Pracoviště musí být dobře osvětlené a suché. Snažte se zabránit namočení nářadím a působení vlhkosti. Nenechávejte nářadí venku přes noc. Voda v nářadí zvýší riziko zásahu elektrickým proudem.

- Napájecí kabel pravidelně kontrolujte a před použitím ověřte, že není poškozený ani opotřebený. Pokud kabel není v dobrém stavu, nářadí nepoužívejte a předejte je autorizovanému servisu.
- Při použití nářadí venku s prodlužovacím kabelem se ujistěte, že jde o kabel vhodný do exteriéru a takto označený. Kabel vedte mimo pracoviště, mimo vlhká nebo zaolejovaná místa, mimo dosah horka a hořlavých materiálů.
- Zabraňte nechtěnému spuštění: před zapojením zástrčky napájecího kabelu do zásuvky zkontrolujte, zda je vypínač (pokud je instalován) v poloze Off (Vyp).
- Před zapnutím nářadí odstraňte nastavovací klíče apod.
- Nepoužívejte nářadí, pokud se po zapnutí vypínačem nerozběhne nebo po vypnutí nezastaví. Nářadí, které nelze ovládat vypínačem, je nebezpečné a musí se opravit.



VAROVÁNÍ! Během práce s některými elektrickými nářadím může vznikat prach obsahující chemikálie, které mohou způsobit rakovinu.

Příklady: prach z broušení barev na bázi olova, silikáty z cihel, betonu a jiných stavebních materiálů, arzen a chrom z chemicky napuštěného dřeva a další nebezpečné látky. V přítomnosti prachu závisí vaše ohrožení na tom, jak často tuto práci provádíte.

V zájmu omezení expozice těmto chemikáliím provádějte práce, při kterých vzniká prach, na dobře větraném místě a používejte schválené ochranné pomůcky, jako jsou respirátory zvláště navržené na odfiltrování mikroskopických částic.

- Pokud nářadí narazí do cizího předmětu, zkontrolujte, zda se nepoškodilo, a před dalším používáním zajistíte potřebné opravy.
- Pokud nářadí začne neobvykle vibrovat, okamžitě je vypněte a zjistěte příčinu. Vibrace upozorňují na problém.
- Přístroj vždy vypněte a vyčkejte, než se úplně zastaví, než jej opustíte, začnete provádět údržbu, měnit příslušenství, provádět kontrolu, čištění, odstraňování problémů nebo jinou práci.

- Je zakázáno přemisťovat a upravovat vnitřní součásti přístroje.

Konkrétní bezpečnostní pravidla

- Šetřete prsty! Využijte prstové rukavice! Nedržte ruce a jiné části těla blízko zóny действия vrtáku nebo vrtadla. Držte druhou ruku na dodatečném držadlu.
- Využijte ochranná sluchátka. Působení šumu může způsobit ohluchnutí.
- Mocně držte vrták, aby zabránit ztrátu řízení.
- Nedržte opracovávanou součástku rukama a nohama. Při práci je nutno zajistit maximální ochranou operátora, minimalizovat riziko ztrátu řízení.
- Nepoužívejte vadné nebo nevhodné vrtadla.
- Pro zpevnění opracovávané součástky na odolné platformě využívejte svěrák nebo jiné přípravky. Držte součástky rukou nebo tělem nespolehlivě a může způsobit ztrát řízení.

VYBALENÍ

Při vybalení zkontrolujte, zda jste obdrželi všechny součásti. Viz obrázky v návodu. Pokud cokoli chybí nebo je rozbité, kontaktujte středisko pomoci IVT.

UVEDENÍ DO PROVOZU

Zajistěte správné napájecí napětí; musí vyhovovat údajům na typovém štítku nářadí.

BEZKLÍČOVÁ OBJÍMKA (6) [F1]

Dané přístroje jsou osazeny samozatahovací. Proto vrtáků lze rychle měnit ručně bez klíče.

- Držeje zadní část objímky, odšroubovávejte její přední část ve směru proti hodinovým ručičkám do dostačující šířky, aby vpravil/ vytáhnout vrták.
- Vpravil/vytáhnout vrták.
- Odšroubovávejte přední část objímky (6) ve směru hodinových ručiček, držeje její zadní část objímky, pokud vrták se těsně nezaznamená.

ZAPNUTÍ / VYPNUTÍ

Krátkodobé zapnutí

Stiskněte vypínač (4) a vyždímte ho.

Kontinuální využití

Zapnutí

Stiskněte vypínač (4) a zaznamenejte pomocí fixačního tlačítka vypínače (5).

Vypnutí

Stiskněte a vyždímte vypínač (4).

[F2]



PLYNULÁ REGULACE RYCHLOSTÍ



Přístroj funguje s nestálou rychlostí, která závisí na tlaku poskytovaného na vypínač (4). Při lehkém vyšípnutí vypínače rychlost otáčení je nevysokou, ale při tom se zajišťuje plynulý kontrolovaný spuštění. Nepřekládáte přístroj, nepůsobte na něj nadměrný tlak, který může způsobit zastavení.

REGULOVANÁ RYCHLOST

Potřebnou rychlost lze vybrat pomocí kotoučového přepínače rychlostí (3) (také bez vypnutí přístroje). Stiskněte vypínač (4) a zaznamenejte pomocí fixačního tlačítka vypínače (5).

- Установите требуемую скорость.
- Vložte potřebnou rychlost.

Rychlost závisí na opracovávaném materiálu a stanoví se zkusmo. Po dlouhotrvající práci v malé rychlosti ochlaďte přístroj, zaplašiv ho naprázdno v maximální rychlosti asi během 3 minut.

[F3]

ZMĚNA SMĚRU OTÁČENÍ

Využívat směrový přepínač otáčení (2) lze pouze při neppracujícím přístroji.

Změnit směr otáčení přístroje lze pomocí směrového přepínače otáčení (2) (při klepnutí se vypínače (4) směrový přepínač otáčení (2) blokuje).

Točení vpravo

Přesuňte směrový přepínač otáčení (2) vpravo na doraz.

Točení vlevo

Přesuňte směrový přepínač otáčení (2) vlevo na doraz.

[F4]

PROVOZNÍ PŘEDPIS

POZOR: před zahájením vrtání se přesvědčte pracovní oblast na skrytá bezpečí, například, elektrických kabelů, vodovodu nebo plynovodu, které položené pod půdou. Využijte detektor kovů/ ukazatel napětí.

Vrtání dřeva a plastické hmoty

Pro zabránění štěpení dřeva kolem vyvrtávacích otvorů naopak umístěte pod dovtávající součástku

nepotřebný dřevěný tram.

Vrtání kovu

Přístroj lze využívat pro vrtání kovu (ocelového plechu, alumina, mědi). Označte důlkovačem bod vrtání, aby zajistil přesnou polohu hlavice vrtáku.

Šroubování

Pro zabránění štěpení nebo poruchy hlavice vrtule využijte násadku šroubováku vyhovující rozměru hlavice. Pro vytahování šroubů přesuňte přepínač směru naopak, stiskněte na hlavici vrtule a pomalu stiskněte spuštění.

ÚDRŽBA A SKLADOVÁNÍ



VÝSTRAHA! Před zahájením práce na zařízení vytáhněte zástrčku elektrického kabelu ze zásuvky.

- Nářadí a ventilační otvory (pokud jsou použity) udržujte v čistotě. Pravidelné čištění a údržba přístroje zvýší jeho účinnost a prodlouží životnost. Pokud nářadí i přes přísné kontroly a testování ve výrobě selže, svěťte je do opravy autorizovanému servisu IVT.
- Všechny matice a šrouby musí být utažené, nářadí musí být v bezpečném stavu.
- Poškozené nebo opotřeбенé součásti v zájmu bezpečnosti vyměňte.
- Používejte pouze originální náhradní díly. Díly jiných výrobců nemusí správně sedět a mohou vést k poranění.
- Nářadí skladujte v suchu, mimo dosah dětí a hořlavých materiálů.
- Nářadí chraňte před vlhkem, nestříkejte na něj vodu!

OCHRANA ŽIVOTNÍHO PROSTŘEDÍ



Recyklujte suroviny, nevyhazujte je do odpadu.

Nářadí, příslušenství i obaly vytrďte k ekologické recyklaci. Plastové díly jsou označeny, aby je bylo možno recyklovat. Tyto pokyny jsou vytištěny na bezchlorovém recyklovaném papíru.



POZOR! NEPOKOUŠEJTE SE SAMI OPRAVOVAT PRODUKT ANI MANIPULOVAT S NÍM! Jakákoliv oprava nebo mimořádná údržba musí být prováděna pouze kvalifikovaným a autorizovaným servisním střediskem IVT. Nesnažte se změnit jakoukoliv vnitřní část produktu! TÍM SE KOMPLETNĚ ZRUŠÍ ZÁRUKA A MŮŽE TO ZPŮSOBIT VÁŽNÉ ZRANĚNÍ A POŠKOZENÍ.

ХАРАКТЕРИСТИКА НА ИНСТРУМЕНТА

Модел	D-450-RC
Напрежение ~ Честота [V ~ Hz]	230 ~ 50
Номинална мощност [W]	450
Честота на въртене на празен ход [об./мин.]	0 - 2800
Честота на ударите [удар/мин.]	-
Производителност на пробиване на стомана [мм]	10
Производителност на пробиване на дърво [мм]	20
Производителност на пробиване на бетон [мм]	-
Тегло [кг]	1.4
Клас на защита	II

СПИСЪК НА ДЕТАЙЛИТЕ

1. Вентилационни отвори
2. Превключвател за посоката на въртене
3. Дискос превключвател на скоростите
4. Прекъсвач
5. Фиксиращ бутон на прекъсвача
6. Патронник без ключ

СЪДЪРЖАНИЕ НА КУТИЯТА

Ръководство за експлоатация (1 екз.), комплект въглени четки (1 бр.), ключ за патронника (1 бр.).

ПРЕДНАЗНАЧЕНИЕ

Този вид модели ударни бормашины е предназначен за ударно пробиване на тухли, бетон, както и за пробиване със свредел на дърво, метал, керамика и пластмаса. Машините с електронно управление и въртене надясно/наляво могат също така да се използват за завинтване на болтове и нарязване на резби.

ТЕХНИКА НА БЕЗОПАСНОСТ ПРИ РАБОТА

Общи правила за безопасност

Следващите инструкции за техника на безопасност имат за цел да помогнат на потребителя правилно да използва устройството и да гарантира собствената си безопасност, поради което трябва да бъдат внимателно прочетени.

В случай, че машината бъде предадена за ползване от трето лице, това трябва да стане заедно с тези инструкции за безопасна работа.

Запазете тази инструкция, както и всички други ръководства и обяснения за експлоатация, които

влизат в комплекта на доставката.

Спазвайте техниката на безопасност при работа и предупрежденията върху инструмента.

Преди употреба се запознайте с устройствата за управление и правилата за работа с инструмента, разберете, как трябва да бъде спряна уреда в случай на авария.

Спазването на тези лесни инструкции ще даде възможност да поддържате инструмента в добро работно състояние.

- Преди да използвате инструмента трябва да бъдат събрани.

- Използвайте инструмента само по предназначение.

- Запознайте се с предупреждаващите надписи върху инструмента, следвайте инструкциите за използване на предпазните средства. За предотвратяването на инциденти е необходим внимателен, разумен подход към работата и съответна подготовка на лицата, които участват в експлоатацията, транспорта, поддръжката и съхраняването на инструмента.

- Не оставяйте инструмента без наблюдение.

- Не позволявайте на деца да използват или да си играят с инструмента.

- Не позволявайте близо до работещия инструмент да се намират деца и животни. Страничните лица трябва да се намират на безопасно разстояние от работещия инструмент.

- При работа с инструмента ползвателят носи отговорност за трети лица.

- Не се разрешава с инструмента да работят лица, непознати с инструкциите за работа, деца, непълнолетни, ненавършили възраст за работа с инструмента, а също така лица, които са в състояние на алкохолно или наркотично опиянение, или се намират под въздействието на лекарства. Възрастта на оператора се определя от местните нормативни актове.



ВНИМАТЕЛНО! При употреба на алкохол, приемане на някои лекарства и наркотични вещества, а също така при състояния на отпадналост, температура и умора скоростта на реакция намалява. Не използвайте електроинструменти в такива случаи.

- Убедете се, че всички защитни приспособления (ако има такива) са сложени и са годни за експлоатация.
- Не използвайте инструмент с повредени защитни приспособления (ако има такива) или с липсващи такива.
- Огледайте инструмента, за да се убедите, че няма лошо закрепени детайли (гайки, болтове, винтове и т.н.) или повреди. За да се осигури безопасна работа на уреда, периодично трябва да проверявате, добре ли са затегнати болтовете и гайките. Ако е необходимо, ремонтирайте ги или ги сменете, преди да използвате инструмента. В случай на използване на повреден уред могат да бъдат причинени сериозни травми на оператора или на странични лица.
- При работа използвайте съответното специално работно облекло. Широките дрехи, украшенията могат да бъдат захванати от движещите се части. Използвайте съответното работно облекло. Защитете краката и стъпалата си от хвърчащия боклук. Не работете боси или с отворени сандали. Дългата коса трябва да се връзва отзад.
- Поддържайте ръкохватките чисти и сухи.
- Използвайте съответните защитни приспособления. Използвайте предпазни ръкавици и очила. При работа с прахове или при изхвърляне на изгорели газове използвайте противопрахов респиратор. При необходимост сложете обувки, които не се плъзгат, каска и тапи за уши. Ако нивото на шума превишава 85 dB (A), задължително използвайте предпазни наушници.



ВНИМАТЕЛНО! Използвайте индивидуалните средства за защита! Защитните устройства и личните предпазни средства служат за защита на вашето здраве и здравето на близките ви хора и гарантират непрекъснатата работа на инструмента.

- Не включвайте инструмента, ако е обърнат или не е в работно положение

- По време на работа пазете устойчиво равновесие. Пазете постоянно равновесие.
- Преди работа с инструмента почистете работната площадка от всички странични предмети, старайте се да избягвате попадането под косачката на странични предмети по време на работа. Поддържайте чистотата на работното място. Там, където цари безпорядък, има голяма опасност от получаване на травми.
- Не претоварвайте инструмента. Инструментът ще работи по-ефективно и безопасно при натоварване, за което е проектиран.
- Използвайте инструмента само при дневна светлина и при добро изкуствено осветление. Не използвайте инструмента при лоша видимост.
- Внимавайте да не изпуснете инструмента, пазете го от сблъскване с прегради.

ВНИМАТЕЛНО! Бъдете внимателни. Следете за хода на работата. Не се отвячайте, защото може да изгубите контрол. Подхождайте към работата разумно.

Правила за електробезопасност

ВНИМАНИЕ! Причиняване на травми или запалване при използването на електроинструменти трябва да се спазват дадените подолу инструкции за техника на безопасност. Прочетете ги, преди да започнете да използвате инструмента, и ги спазвайте стриктно.

- За да се повиши нивото на безопасност се препоръчва да се използва устройството за диференциална защита (УДЗ), разчетено за ток на изключване не повече от 30 mA. Проверявайте УДЗ преди всяко използване. Обърнете се към квалифициран електротехник.



ВНИМАНИЕ! Използването на УДЗ или на друг прекъсвач не освобождава оператора на косачката от задължението да се запознае с правилата за техника на безопасност и методите за безопасна работа, посочени в това ръководство.

- Напрежението на мрежата трябва да съответства на значението, посочено на табелката или етикета. Не използвайте други източници на захранване.
- Преди да включите инструмента към мрежата, убедете се, че контактът съответства на данните, посочени в табелката на инструмента.



Ръководство за работа

• Избягвайте контакта със заземени повърхности (тръби, радиатори, хладилници). В случай на заземяване през тялото, рискът от токов удар се увеличава.



ВНИМАТЕЛНО! Докосването на наелектризиращи части може да причини смърт от токов удар или изгаряне.

- Не дърпайте кабела, когато премествате инструмента.
- Внимавайте с кабела. Пазете го от въздействие на топлина, от контакти със смазочни материали, както и от остри предмети или движещи се части.
- Внимавайте с шнура.
- Не използвайте електрически инструменти в близост до леснозапалими течности и газове.
- Изключете уреда от мрежата, преди да го пренесете на друго място.



ВНИМАТЕЛНО! Приборът трябва първо да се изключи, а после да се прекъсне захранването чрез издърпване на щепсела от контакта или удължителя.

- Никога не минавайте с уреда върху удължителния кабел, докато инструментът работи. Дръжте винаги в ползването си кабела.
- Не свързвайте сами удължителя направо към уреда, обърнете се към най-близкото отделение за електроснабдяване.
- При повреда на захранващия кабел, от гледна точка на безопасността, той трябва да бъде сменен от производителя или негов представител, или от аналогично квалифицирано лице.
- Незабавно извадете щекера от контакта, ако кабелът е повреден или разрязан.



ВНИМАНИЕ! ОПАСНОСТ ОТ ТОКОВ УДАР!

Отчитайте състоянието на околната работна среда. Не използвайте електрическите инструменти по време на дъжд. Не използвайте електрическите инструменти във влажни и мокри помещения. Поддържайте сухо работното място, осигурете добро осветление. Пазете инструмента от влага. Не го оставяйте на открито през нощта. При попадане на вода в електрическия инструмент се повишава рискът от токов удар.

- Редовно и всеки път преди използване

проверявайте захранващия кабел за евентуални повреди или признаци на износване. Не използвайте инструмент с повреден кабел; обърнете се към официалния център за обслужване.

- При работа на открито използвайте само предназначения за тази цел удължител със съответна маркировка. Избягвайте попадането на кабела под инструмента, пазете го от влага, въздействие на топлина, от контакт със смазочни материали или леснозапалими вещества.

• Избягвайте случайното пускане на инструмента: преди да го включите в мрежата се уверете, че ключът (ако има такъв) е в положение 'off' (изключен).

• Преди да включите инструмента, отстранете регулиращите клинове и ключове.

• Не използвайте инструмент с повреден включвател. Инструмент с повреден ключ е опасен и трябва да бъде ремонтиран.



ВНИМАНИЕ! Понякога при работа с електроинструменти се образува прах, който съдържа химични вещества, предизвикващи рак.

Тези химически вещества включват: олово в състава на оловно белило, кварц, който е съставна част на тухлите и цимента, арсен и хром, съдържащи се в химическиобработения дървен материал, и други вредни вещества. Рискът от въздействието на тези химически вещества зависи от честотата на извършване на свързаните с тях работи.

С цел да се намалат вредните ефекти от тях, работете в добре вентилирани помещения и използвайте одобрените предпазни средства, като например противопрашна маска, специално предназначена за филтриране на микроскопични частици.

• Ако инструментът се натъкне на страничен предмет, огледайте го добре за евентуални повреди и го ремонтирайте, ако е необходимо.

• При възникване на прекалено голяма вибрация спрете двигателя и веднага изяснете причината. Вибрацията обикновено е признак на повреда.

• Преди да напуснете работното място, да направите ремонт, оглед или почистване на пинструмента, първо го изключете и изчакайте, докато не спре напълно.

• Забранено е свалянето или изменението на електрическите и механичните устройства за защита.

Специални правила за безопасност

- Пазете пръстите си! Използвайте ръкавици! Не дръжте ръцете си и други части от тялото близо до зоната на действие на бормашината или свредела. Дръжте другата си ръка на допълнителната ръчка.



- Използвайте предпазни наушници. Въздействието на шума може да доведе до загуба на слуха.
- Дръжте здраво бормашината, за да предотвратите загубата на управление.
- Не дръжте обработвания детайл с ръце или с крака. По време на работа е необходимо да се осигури максимална защита на оператора, за да се минимизира рискът от загуба на управление.
- Не използвайте повредени или неподходящи свредла.
- За закрепване на обработвания детайл към устойчивата платформа използвайте менгеме или други приспособления. Придържането на детайла с ръка или с тяло не е сигурно и може да доведе до загуба на управление.

РАЗОПАКОВАНЕ

При разопаковането проверете дали са доставени всички елементи. Запознайте се с чертежите към това ръководство. Ако има липсващи или повредени детайли, обърнете се към центъра за поддръжка на IVT.

НАЧАЛО НА РАБОТА

Стойността на захранващото напрежение трябва да отговаря на посоченото върху табелката с паспортните данни на инструмента.

ПАТРОННИК БЕЗ КЛЮЧ (6) [F1]

Тези уреди са снабдени със самозатягащ се патронник. Затова свредлата могат да се сменят бързо ръчно без ключ.

- Като придържате задната част на патронника, отвъртете предната му част в посока обратна на часовниковата стрелка до широчина, която ще е достатъчна за да бъде поставен/ изваден свредела.
- Поставете / Извадете свредела.
- Завъртете предната част на патронника (6) по посока на часовниковата стрелка, като придържате задната му част, докато свределът не бъде добре закрепен.

ВКЛЮЧВАНЕ / ИЗКЛЮЧВАНЕ

Краткотрайно включване

Натиснете прекъсвача (4) и след това го отпуснете.

Продължително използване Включване

Натиснете прекъсвача (4) и го фиксирайте с помощта на фиксиращия бутон (5).

Изключване

Натиснете и след това отпуснете прекъсвача (4). [F2]

ПЛАВНО РЕГУЛИРАНЕ НА СКОРОСТТА



Уредът работи с променлива скорост, която зависи от натиска, упражняван върху прекъсвача (4).

При лек натиск върху прекъсвача скоростта на въртене е ниска, но така се осигурява плавно контролирано включване.

Не претоварвайте уреда, не прилагайте върху него прекалено голяма налягане, което може да доведе до спиране.

РЕГУЛИРУЕМА СКОРОСТ

Необходимата скорост може да бъде избрана с помощта на дисков превключвател на скоростите (3) (и без да се изключва уреда).

- Натиснете прекъсвача (4) и го фиксирайте с помощта на фиксиращия бутон (5).
- Нагласете желаната скорост.

Скоростта зависи от обработвания материал и се определя експериментално. След продължителна работа при малка скорост уредът трябва да се охлади, като се остави да работи с максимална скорост на празен ход около 3 минути.

[F3]

ПРОМЯНА НА ПОСОКАТА НА ВЪРТЕНЕ

Превключвателят за посоката на въртене (2) може да се използва само при неработещ уред.

Посоката на въртене на уреда може да се промени с помощта на превключвателя за посоката на въртене (2) (при натискане на прекъсвача (4) превключвателят на посоката на въртене (2) се блокира).

Въртене надясно

Преместете превключвателя на посоката на въртене (2) надясно до упор.

Въртене наляво

Преместете превключвателя на посоката на въртене (2) наляво до упор.

[F4]

ИНСТРУКЦИЯ ЗА РАБОТА

ВНИМАНИЕ: преди да започнете да пробивате със свредел, Проверете областта за работа за



евентуални скрити опасности, като например електрически кабели, водо- или газопроводи, прокарани подземята. Използвайте металотърсач / индикатор за напрежение.

Пробиване със свредел на дърво и пластмаса

За да се избегне разцепването на дървото около пробиваните отвори, сложете от другата страна на детайла, който пробивате, дървено парче.

Пробиване на метал със свредел

Уредът може да се използва за пробиване на метал със свредел (на листовата стомана, алуминий, мед). Отбележете с център точката на пробиване, за да се осигури точно разполагане на главичката на свредела.

Завинтване

За да се предотврати приплъзване или повреждане на главата на винта, изберете размер на острието на отвертката, който да отговаря на размера на главата на винта. За да извадите винт, преместете превключвателя за посока в обратно положение, натиснете главичката на винта и бавно натиснете старт.

ПОДДРЪЖКА И СЪХРАНЕНИЕ



ВНИМАТЕЛНО! Преди да започнете работа с инструмента, извадете мрежовия щепсел.

- Поддържайте уреда и вентилационните отвори (ако има такива) чисти. Редовното почистване и техническо обслужване гарантират висока ефективност и продължителна експлоатация на инструмента. В случай на излизане на инструмента от строя, независимо от отличните условия на производство и тестване, ремонтът трябва да се извърши в официален сервизен център на IVT.
- Всички гайки, болтове и винтове трябва да бъдат добре затегнати.
- Сменете повредените или износени детайли.
- Използвайте само оригинални резервни части. Части от трета страна монтаж свободно, и да увеличи риска от нараняване.
- Съхранявайте уреда на сухо, недостъпно за деца място, на безопасно разстояние от леснозапалими материали.
- Пазете инструмента от попадане на вода!

ОПАЗВАНЕ НА ОКОЛНАТА СРЕДА



Изпращайте суровините за рециклиране, а не ги изхвърляйте!

Инструментът, допълнителните приспособления и опаковката трябва да се изпращат за екологично безопасно рециклиране.

Пластмасовите елементи се изпращат за отделно рециклиране. Тези инструкции са напечатани на преработена хартия, която не съдържа хлор.

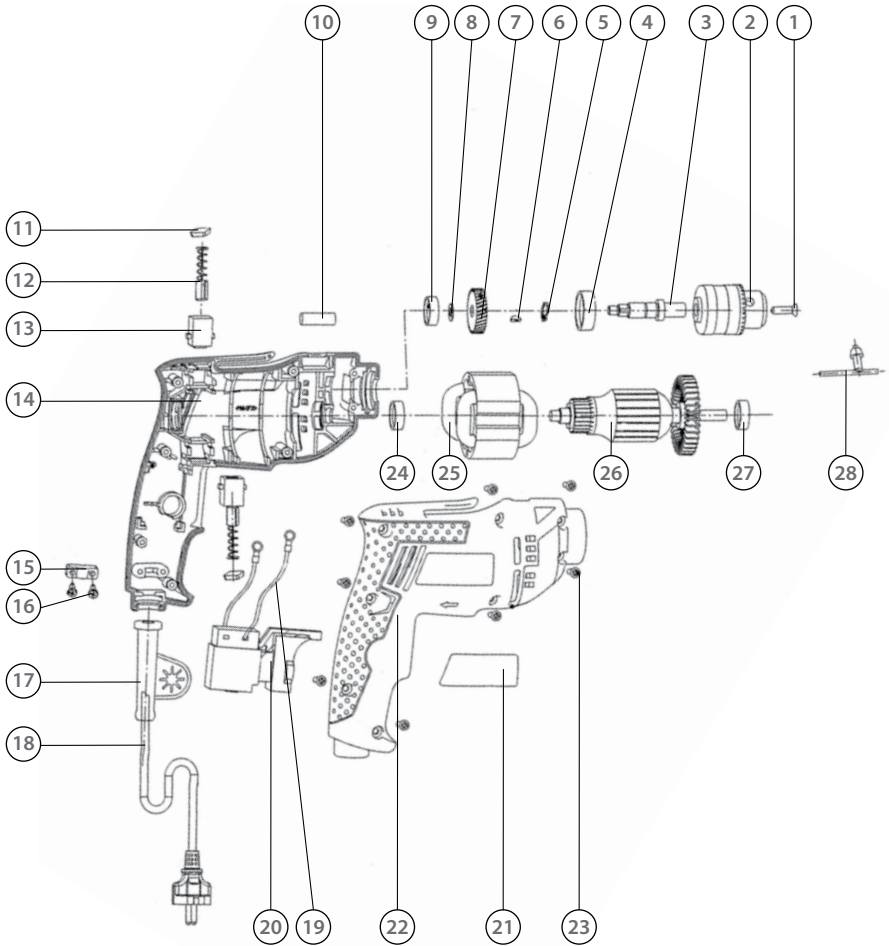


BG



ВНИМАНИЕ! НАПЪЛНО НЕДОПУСТИМО Е САМОСТОЯТЕЛНО ДА СЕ ИЗВЪРШВА РЕМОТ НА ИЗДЕЛИЕТО, КАТО СЕ ОПИТВАТЕ ДА ПРИКРИЕТЕ СЛЕДИТЕ ОТ ТОВА! Само оторизиран IVT Сервиз-Център има право да извърши ремонт и разширено техническо обслужване. Внасянето на изменения във вътрешното устройство на изделието е забранено! ТАКИВА ДЕЙСТВИЯ НЕ САМО СА ОСНОВАНИЕ ЗА ОТКАЗ ОТ ГАРАНЦИОННИ ЗАДЪЛЖЕНИЯ, НО МОГАТ ДА СТАНАТ ПРИЧИНА ЗА ПОВРЕДИ И СЕРИОЗНИ ТРАВМИ.

D-450-RC



SPARE PARTS LIST

Part	Description	Part	Description
1	Screw M5X22	15	Pressing board
2	Chuck 10 mm	16	Screw ST4x14
3	Output shaft	17	Cable sleeve
4	Bearing 6000	18	Cable
5	Circlip for shaft	19	Brush led string
6	Woodruff key	20	Switch
7	Gear wheel	21	Label
8	Ring Ø12xØ6.2x0.5	22	Left housing
9	Bearing 626	23	Screw ST4x14
10	Spirit bubble	24	Bearing 626
11	Brush holder cover	25	Stator
12	Brush holder	26	Rotor
13	Carbon brush	27	Bearing 607
14	Right housing	28	10 mm check key



tools for every use

IVT SWISS SA

Via Cantonale, 2
CH-6917 - Barbengo
Switzerland

tel.: +41 (0) 91 6000 555
+41 (0) 91 6000 556
fax: +41 (0) 91 6000 557
e-mail: info@ivt-ht.com
web: www.ivt-ht.com

КАЗАХСТАН

ТОО "Костанай IVT"

ул. Целинная, д.4
110000 г. Костанай
тел.: +7 (7142) 280 700
+7 (7142) 280 701
+7 (7142) 280 702
e-mail: ivt_dir@mail.ru
web: www.ivt.kz

РОССИЯ

ООО "Спектр Инструмента"

ул. Танкистов, 179 Б
454085 г. Челябинск
тел. - факс: +8 (351) 247 98 65
+8 (351) 247 98 67
+8 (351) 247 97 59
+8 (351) 225 04 67
+8 (351) 225 04 68
e-mail: ivt-s@mail.ru
alfia@ivt-ht.ru
sales@ivt-ht.ru
web: www.ivt-ht.ru

КЫРГЫЗСТАН

ОсОО "ОлАн-Техно"

ул. Медерова, д. 85
720031 г. Бишкек
тел.: +9960312 46 02 91
факс: +996772 57 66 27

